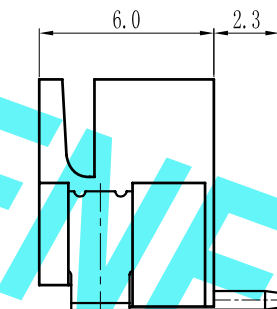
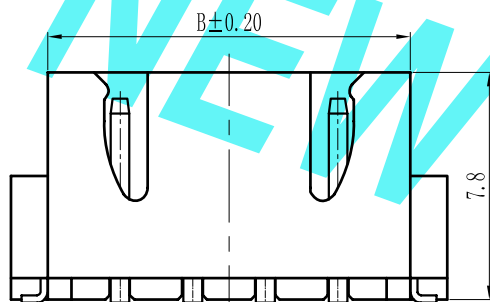
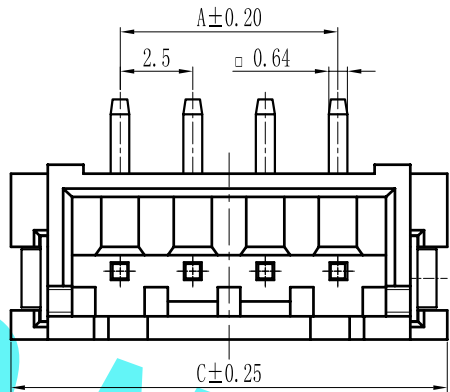


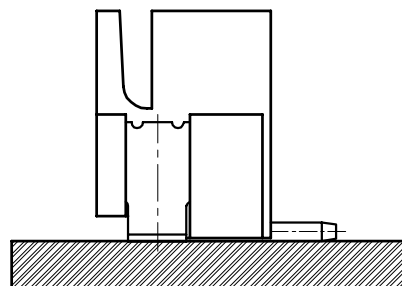
环保物料

Pin数	尺寸A	尺寸B	尺寸C
4	7.50	12.45	15.00
5	10.00	14.95	17.50
6	12.50	17.45	20.00
7	15.00	19.95	22.50
8	17.50	22.45	25.00
9	20.00	24.95	27.50
10	22.50	27.45	30.00
11	25.00	29.95	32.50
12	27.50	32.45	35.00
13	30.00	34.95	37.50
14	32.50	37.45	40.00
15	35.00	39.95	42.50
16	37.50	42.45	45.00
17	40.00	44.95	47.50
18	42.50	47.45	50.00
19	45.00	49.95	52.50
20	47.50	52.45	55.00
21	50.00	54.95	57.50
22	52.50	57.45	60.00
23	55.00	59.95	62.50
24	57.50	62.45	65.00
25	60.00	64.95	67.50
26	62.50	67.45	70.00
27	65.00	69.95	72.50



3P-16P样式

2P样式



Assembly Layout

技术参数 SPECIFICATIONS

- ◆间距: 2.5 Pitch:2.5
- ◆适用线规: AWG#22-#28
Applicable Wire:AWG#22-#28
- ◆额定电压: AC, DC, 250V (有效值)
Voltage rating: AC, DC, 250V(rms)
- ◆额定电流: 2.5A, AC, DC (AWG#22)
Current rating:2.5A, AC, DC (AWG#22)
- ◆耐压值: 800V AC/minute
Withstand voltage:800V AC/minute
- ◆工作温度: -25℃~+85℃
Working Temp:-25℃~+85℃
- ◆绝缘电阻: ≥1000MΩ
Insulation resistance:≥1000MΩ
- ◆接触电阻: ≤10mΩ
Contact resistance:≤10mΩ

材料 MATERIAL

- ◆绝缘体: 尼龙66, UL94-V0
Insulator:Nylon66 UL94-V0
- ◆接触针: 黄铜
Contact PIN:Brass



GENERAL TOLERANCES

LINEAR	ANGLES
0.0±0.25	X° REF±6°
0.00±0.15	X° ±3°
0.000±0.08	X° X'±2°

SCALE:	1:1	NAME		DATE	
APPROVED					
DESIGNER					
DRAWN	肖丽娟			2018.12.06	

东莞市康导新能源科技有限公司
 DONGGUANG XIDAO NEW ENERGY TECHNOLOGY CO.,LTD
 公司网址: www.dgoonne.cn 公司电话: 0769-85337533
 邮箱: 2850175986@qq.com 公司传真: 0769-85392827

PART. NO: XH-LT-NA

DWG. NO:

TITLE: 2.50mm pitch Single Wafer

REV: A0 SHEET: 1/1