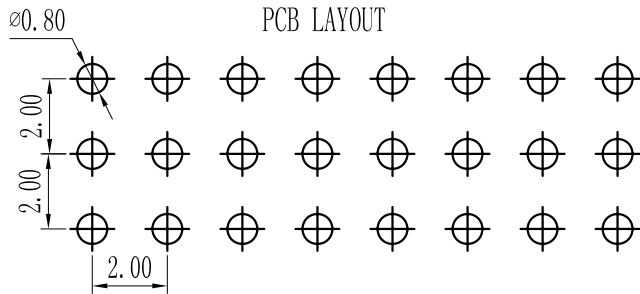
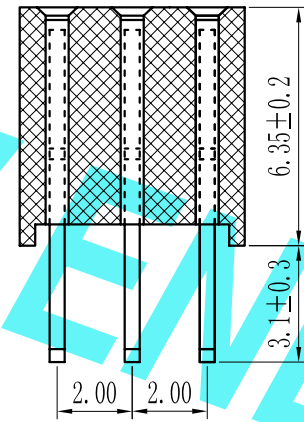
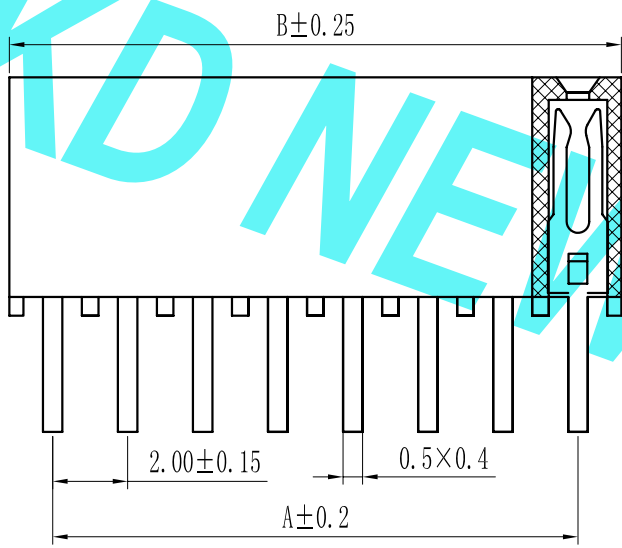
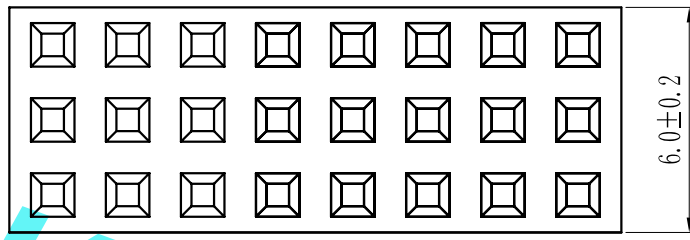


ROHS

For reference only

Pin数	尺寸A	尺寸B
3×3	4.0	6.3
3×4	6.0	8.3
3×5	8.0	10.3
3×6	10.0	12.3
3×7	12.0	14.3
3×8	14.0	16.3
3×9	16.0	18.3
3×10	18.0	20.3
3×11	20.0	22.3
3×12	22.0	24.3
3×13	24.0	26.3
3×14	26.0	28.3
3×15	28.0	30.3
3×16	30.0	32.3
3×17	32.0	34.3
3×18	34.0	36.3
3×19	36.0	38.3
3×20	38.0	40.3
3×21	40.0	42.3
3×22	42.0	44.3
3×23	44.0	46.3
3×24	46.0	48.3
3×25	48.0	50.3
3×26	50.0	52.3
3×27	52.0	54.3
3×28	54.0	56.3
3×29	56.0	58.3
3×30	58.0	60.3
3×31	60.0	62.3
3×32	62.0	64.3
3×33	64.0	66.3
3×34	66.0	68.3
3×35	68.0	70.3
3×36	70.0	72.3
3×37	72.0	74.3
3×38	74.0	76.3
3×39	76.0	78.3
3×40	78.0	80.3



Specification:  
 Current Rating : 1.5AMP  
 Temperature Range : -40°Cto+105°C  
 Contact Resistance : 20mΩ Max  
 Insulation Resistance : 1000MΩ Min  
 Withstanding Voltage : AC 500V  
 Material:  
 Insulator : Polyester (UL94V-0)  
 Standard:PBT/PA6T/LCP  
 Contact: Brass  
 Plating : Au or Sn Over 50u" Ni

F 20 0D-XXX X X-XX-X-XXX

① Series No: P=Pin Header F=Female Header B=Box Header E=Ejector Header	② Pitch: 08=0.80 10=1.00 12=1.27 20=2.00 25=2.54 39=3.96 50=5.08	③ Tail&Mounting Style: 9D=Right Angle DIP Type 9S=Straight SMT Type 0D=Straight DIP Type 0S=horizontal SMT Type	④ No. of Pins: Single Row Double Row 101=1*1Pin 201=2*1Pin 102=1*2Pin 202=2*2Pin ! ! ! 140=1*40pin 240=2*40pin	⑤ Insulator Color: A:Black B:Brown C:Red D:Orange E:Yellow F:Green G:Blue H:Violet J:Gray K:White P:Light Blue
⑥ Material Type: A=PBT B=PA46 C=PA6T D=PA9T E=LCP	⑦ Plating Type: 0*-Sn-Au 1*-Ni 2*-Sn 3*-Matte-Tin 5*-Au 0A-Sn-Au 1u" 0F-Sn-Au 10u" 5A-Au 1u" 0B-Sn-Au 2u" 0G-Sn-Au 15u" 5B-Au 2u" 0C-Sn-Au 3u" 0H-Sn-Au 30u" 5C-Au 3u" 0D-Sn-Au 4u" 0I-Sn-Au 40u" ! 0E-Sn-Au 5u" 0J-Sn-Au 50u" 5J-Au 50u"	⑧ RoHS Request: 0:No Request 1:RoHS 2:HF(Halogen Free)	⑨ Customer Code	

REV.	REVISION RECORD	DATE	UNIT: MM	GENERAL TOLERANCES		SCALE: 1:1	NAME	DATE
				LINEAR	ANGLES			
				0.00±0.15	X° REF±6°	APPROVED		
				0.00±0.08	X° X'±2°	DESIGNER		
						DRAWN		

**东莞市康导新能源科技有限公司**  
 DONGGUANG KD NEW ENERGY TECHNOLOGY CO.,LTD.  
 Web: www.dgconne.com Tel: 0769-85337633  
 Email: 2850175986@qq.com Fax: 0769-85392827

PART. NO:	KDFH-0096
DWG. NO:	ENDE1096
REV:	AO
SHEET:	1/1