

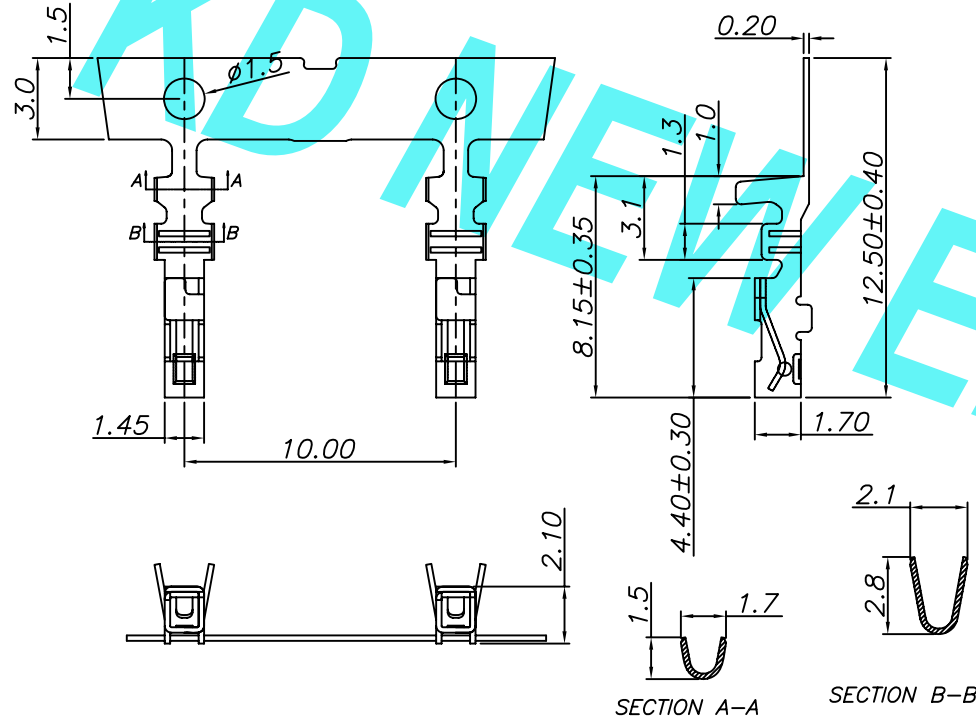
环保物料

Reference Informations:  
\*Used in 42001 Receptacle Housing

Ordering Information & Specifications

Part No	Wire Range	Insulation O. D.	Material	Finish
42001T0	AWG#22	1.00mm	Phosphor Bronze	Au or Sn
P-**-B	-#28	(max)		

Unit: mm



				GENERAL TOLERANCES		SCALE: 1:1	NAME	DATE	<b>东莞市康号新能源科技有限公司</b> DONGGUAN KD NEW ENERGY TECHNOLOGY CO., LTD. 公司网址: www.dgoonne.cn 公司电话: 0769-85337533 邮箱: 2850175986@qq.com 公司传真: 0769-85392827	PART. NO: 42001T0P-**-B	
				LINEAR	ANGLES	APPROVED				DWG. NO: ENDE05	
A0	新图面发行	2018.07.28	UNIT: MM	0.00 $\pm$ 0.15	X° $\pm$ 3°	DESIGNER			TITLE: 2.00mm pitch Crimp Terminal	REV: A0	SHEET: 1/1
REV.	REVISION RECORD	DATE	SIZE: A4	0.000 $\pm$ 0.08	X° X' $\pm$ 2°	DRAWN	肖丽娟	2018.07.28			