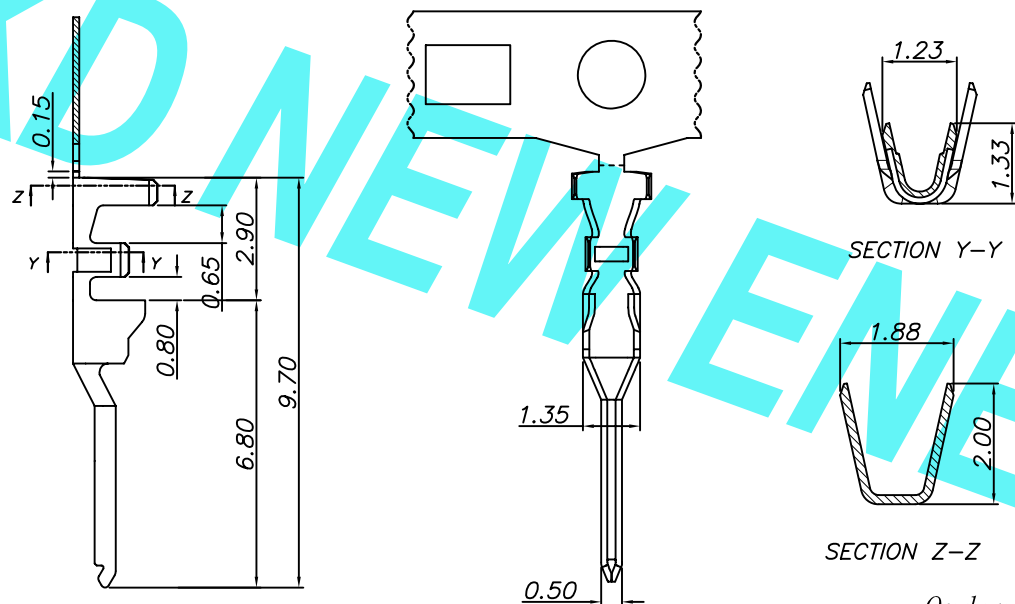


环保物料

Reference Informations:
*Used in 32011 Receptacle Housing



Ordering Information & Specifications

Part No	Wire Range	Insulation O. D.	Material	Finish
32011T0 P-**	AWG#30 -#24	0.8mm-1.4mm (1.4mm max)	Phosphor Bronze	Au or Sn

Unit: mm

REV.	REVISION RECORD	DATE	UNIT: MM	GENERAL TOLERANCES		SCALE: 1:1	NAME	DATE	 东莞市康号新能源科技有限公司 DONGGUANG KD NEW ENERGY TECHNOLOGY CO., LTD 公司地址: www.dgkonne.cn 公司电话: 0769-85337633 邮箱: 2850175988@qq.com 公司传真: 0769-85392827	PART. NO: 32011TOP-**	
				LINEAR	ANGLES					DWG. NO:	ENDE05
A0	新图面发行	2018.07.28	UNIT: MM	0.00±0.15	X° ±3°	APPROVED			TITLE: 2.00mm pitch Crimp Terminal	REV:	A0
			SIZE: A4	0.000±0.08	X° X'±2°	DESIGNER	肖丽娟	2018.07.28		SHEET:	1/1