

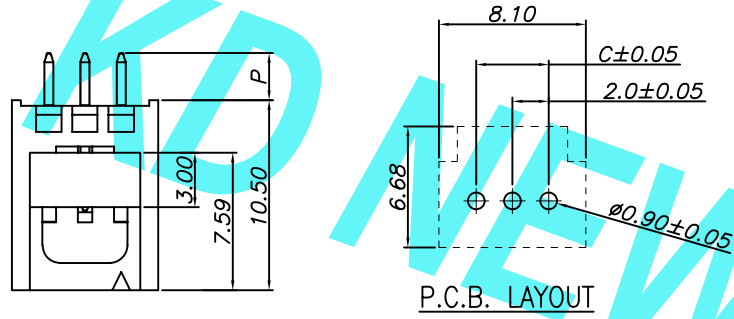
环保物料

Reference Informations:

*Material: Pin: Brass

Wafer: Nylon & PBT, UL94V-0

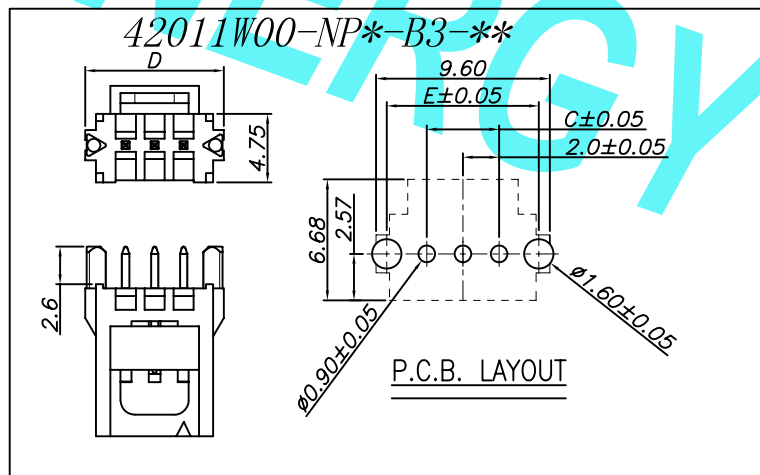
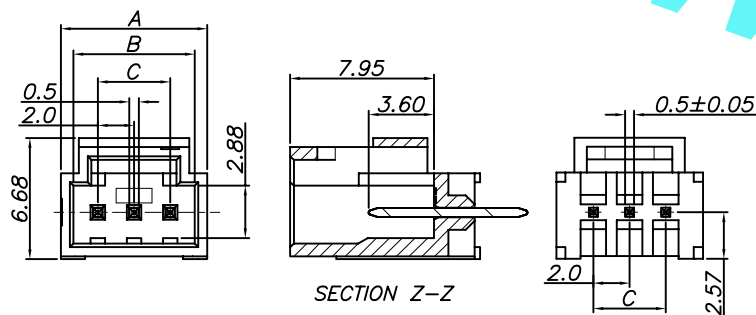
42011W00-NP*-A1-**-**



Dimensional Information:

Part No.	Dimensions				
	A	B	C	D	E
2P	6.10	4.70	2.00	7.60	6.40
3P	8.10	6.70	4.00	9.60	8.40
4P	10.10	8.70	6.00	11.60	10.40
5P	12.10	10.70	8.00	13.60	12.40
6P	14.10	12.70	10.00	15.60	14.40
7P	16.10	14.70	12.00	17.60	16.40
8P	18.10	16.70	14.00	19.60	18.40
9P	20.10	18.70	16.00	21.60	20.40
10P	22.10	20.70	18.00	23.60	22.40

Unit: mm



				GENERAL TOLERANCES		SCALE:	NAME	DATE	东莞市康导新能源科技有限公司 DONGGUAN KD NEW ENERGY TECHNOLOGY CO., LTD. 公司地址: www.dgkonne.cn 公司电话: 0769-85337633 邮箱: 2850175988@qq.com 公司传真: 0769-85392827	PART. NO:	42011W00-NP*-**-**-**		
				LINEAR	ANGLES	1:1				APPROVED		DWG. NO:	ENDE05
A0	新图面发行	2018.07.28	UNIT: MM	0.00±0.15	X° REF±6°				DESIGNER		TITLE:	2.00mm pitch Single Wafer	
REV.	REVISION RECORD	DATE	SIZE: A4	0.000±0.08	X° X'±2°		DRAWN	肖丽娟		2018.07.28	REV:	A0	SHEET: 1/1