

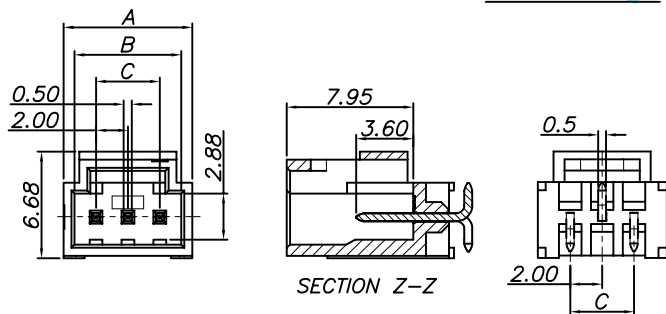
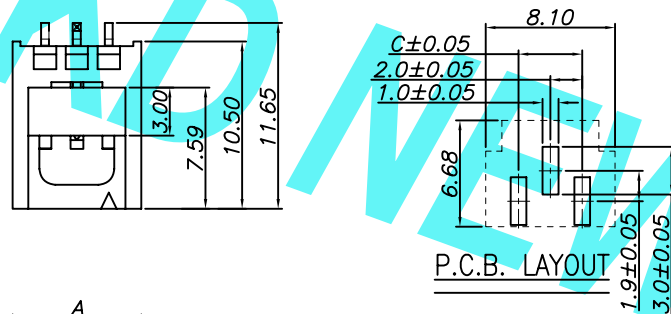
环保物料

Reference Informations:

*Material: Pin: Brass

Wafer: Nylon & PBT, UL94V-0

42011W00-NP*-A2-**-**

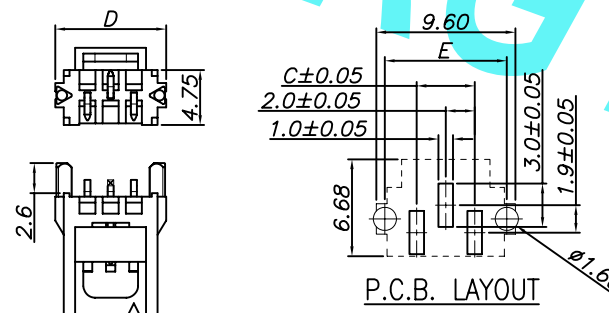


Dimensional Information:

Part No.	Dimensions				
	A	B	C	D	E
2P	6.10	4.70	2.00	7.60	6.40
3P	8.10	6.70	4.00	9.60	8.40
4P	10.10	8.70	6.00	11.60	10.40
5P	12.10	10.70	8.00	13.60	12.40
6P	14.10	12.70	10.00	15.60	14.40
7P	16.10	14.70	12.00	17.60	16.40
8P	18.10	16.70	14.00	19.60	18.40
9P	20.10	18.70	16.00	21.60	20.40
10P	22.10	20.70	18.00	23.60	22.40

Unit: mm

42011W00-NP*-B1-**-**



GENERAL TOLERANCES

LINEAR

0.00±0.15

0.000±0.08

ANGLES

X° REF±6°

X° ±3°

X° X'±2°

SCALE:

1:1

APPROVED

DESIGNER

DRAWN

NAME

肖丽娟

DATE

2018.07.28

东莞市康导新能源科技有限公司
DONGGUANG KD NEW ENERGY TECHNOLOGY CO., LTD

公司网址: www.dgkonne.cn 公司电话: 0769-85337633
邮箱: 2850175988@qq.com 公司传真: 0769-85392827

TITLE:

2.00mm pitch Single Wafer

PART NO:

42011W00-NP*-**-**

DWG NO:

ENDE05

REV: A0

SHEET: 1/1