

环保物料

Reference Informations:

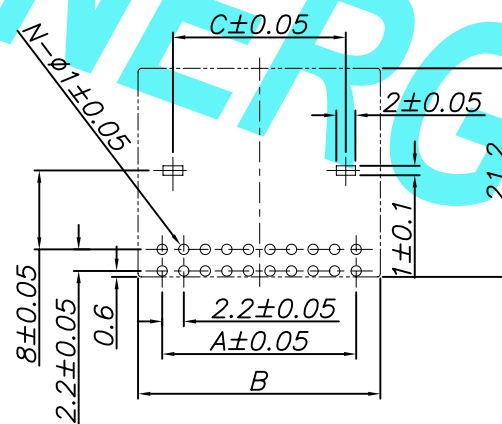
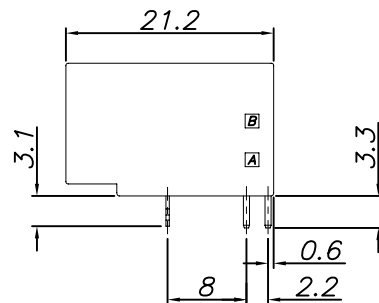
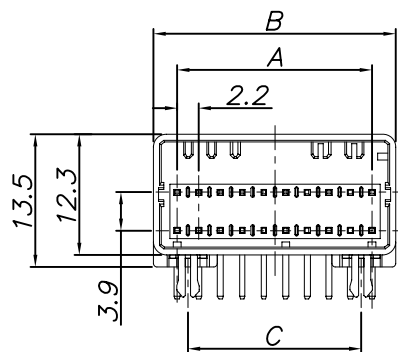
*Material: Pin: Brass

Wafer: Nylon & PBT, UL94V-0

Dimensional Information:

Part No.	Dimensions		
	A	B	C
2*3P	4.40	9.20	-
2*4P	6.60	11.40	4.40
2*6P	11.00	15.80	8.80
2*15P	19.80	24.60	17.60

Unit: mm



P.C.B. LAYOUT



GENERAL TOLERANCES

LINEAR

0.0±0.25

0.00±0.15

0.000±0.08

ANGLES

X° REF±6°

X° ±3°

X° X'±2°

SCALE:

1:1

APPROVED

DESIGNER

DRAWN

NAME

肖丽娟

DATE

2018.07.28

东莞市康号新能源科技有限公司
DONGGUANG KD NEW ENERGY TECHNOLOGY CO., LTD

公司网址: www.dgkonne.cn 公司电话: 0769-85337633
邮箱: 2850175988@qq.com 公司传真: 0769-85392827

TITLE:

2.20mm pitch Dual Wafer

PART NO:

42204W91-2XNP*-A1-**

DWG. NO:

ENDE05

REV: A0

SHEET: 1/1

REV.	REVISION RECORD	DATE	UNIT: MM	SIZE: A4
A0	新图面发行	2018.07.28	UNIT: MM	SIZE: A4