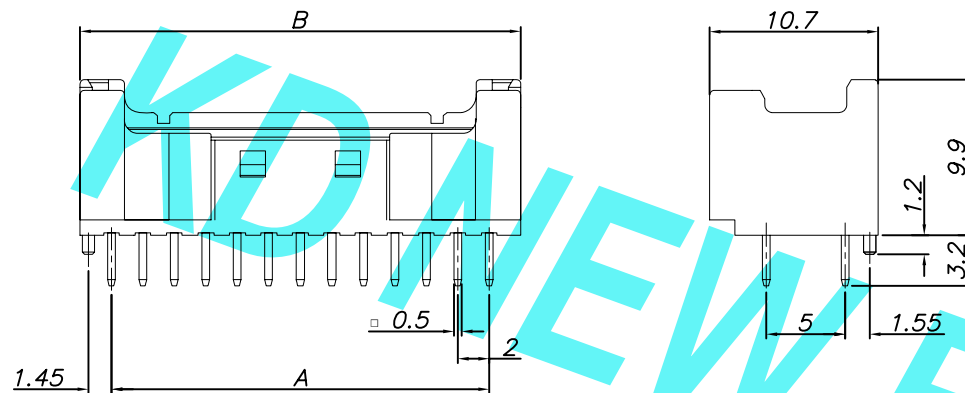


环保物料

Reference Informations:

*Material: Pin: Brass

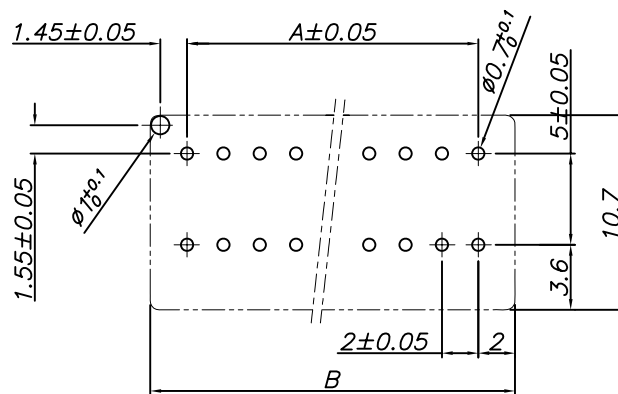
Wafer: PA66, UL94V-0



Dimensional Information:

Part No.	Dimensions		Part No.	Dimensions	
	A	B		A	B
2*4P	6.00	10.00	2*13P	24.00	28.00
2*5P	8.00	12.00	2*14P	26.00	30.00
2*6P	10.00	14.00	2*15P	28.00	32.00
2*7P	12.00	16.00	2*16P	30.00	34.00
2*8P	14.00	18.00	2*17P	32.00	36.00
2*9P	16.00	20.00	2*18P	34.00	38.00
2*10P	18.00	22.00	2*19P	36.00	40.00
2*11P	20.00	24.00	2*20P	38.00	42.00
2*12P	22.00	26.00	2*21P	40.00	44.00

Unit: mm



P.C.B. LAYOUT

				GENERAL TOLERANCES		SCALE: 1:1	NAME	DATE	<p>东莞市康号新能源科技有限公司 DONGGUAN KD NEW ENERGY TECHNOLOGY CO., LTD 公司网址: www.dgoonne.cn 公司电话: 0769-85337633 邮箱: 2850175986@qq.com 公司传真: 0769-85392827</p>	PART. NO:
				LINEAR	ANGLES	APPROVED				42009W00-2XNP*-A1-*
				0.00±0.15	X° REF±6°	DESIGNER				DWG. NO:
A0	新图面发行	2018.07.28	UNIT: MM	0.00±0.15	X° ±3°	DRAWN	肖丽娟	2018.07.28		ENDE05
REV.	REVISION RECORD	DATE	SIZE: A4	0.000±0.08	X° X'±2°	TITLE: 2.00mm pitch Dual Wafer			REV: A0	SHEET: 1/1