

环保物料

Reference Informations:

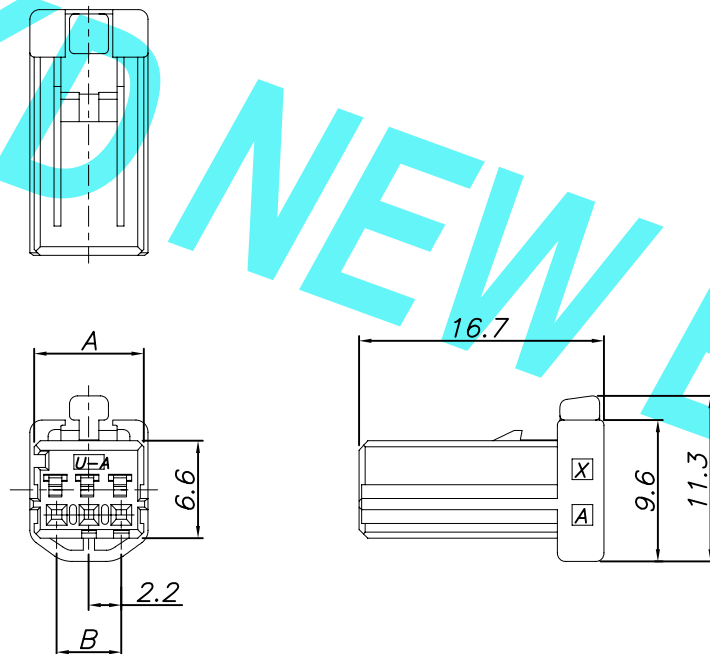
*Material: PBT, UL94V-0

*Suitable 42204 series Terminal

Dimensional Information:

Part No.	Dimensions	
	A	B
3P	7.40	4.40
4P	9.60	6.60
6P	14.00	11.00
10P	22.80	19.80
11P	25.00	22.00
13P	29.40	26.40
15P	33.80	30.80

Unit: mm



GENERAL TOLERANCES		SCALE:	NAME	DATE	 东莞市康号新能源科技有限公司 DONGGUAN KD NEW ENERGY TECHNOLOGY CO., LTD 公司地址: www.dgoonne.cn 公司电话: 0769-85337633 邮箱: 2850175986@qq.com 公司传真: 0769-85392827	PART. NO:		
LINER	ANGLES	1:1	APPROVED			42204H00-NP*-PT		
0.0±0.25	X° REF±6°	DESIGNER				DWG. NO:		
0.00±0.15	X° ±3°	DRAWN	肖丽娟	2018.07.28		ENDE05		
REV.	REVISION RECORD	DATE	SIZE: A4	0.000±0.08	X° X'±2°	TITLE:	REV: A0	SHEET: 1/1
						2.20mm pitch Single Housing		