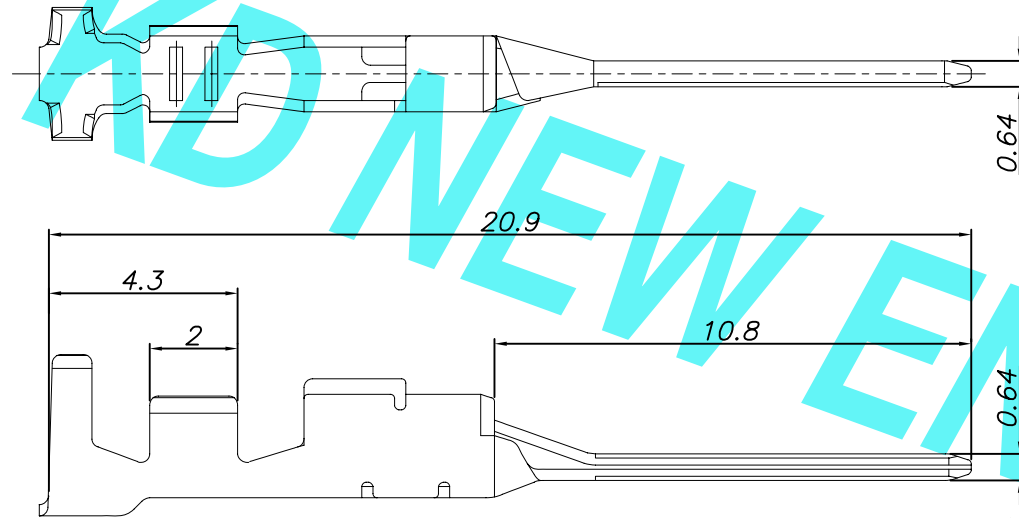


环保物料

Reference Informations:
 *Used in 42204 Receptacle Housing



Ordering Information & Specifications

Part No	Wire Range	Insulation O. D.	Material	Finish
32204T *P-**	AWG#28 -#24	0.85mm-1.43mm (0.85mm max)	Phosphor Bronze	Au or Sn
32204T *P-**	AWG#22 -#18	1.6mm-2.1mm (2.1mm max)	Phosphor Bronze	Au or Sn

Unit: mm

GENERAL TOLERANCES		SCALE:	NAME	DATE	 东莞市康号新能源科技有限公司 DONGGUAN KD NEW ENERGY TECHNOLOGY CO., LTD 公司地址: www.dgoonne.cn 公司电话: 0769-85337533 邮编: 2550175986@qq.com 公司传真: 0769-85392827	PART. NO:		
LINER	ANGLES	1:1	APPROVED			32204T*P-**		
0.0±0.25	X° REF±6°		DESIGNER			DWG. NO:		
0.00±0.15	X° ±3°		DRAWN	肖丽娟		ENDE05		
REV.	REVISION RECORD	DATE	SIZE: A4	0.000±0.08	X° X'±2°	TITLE: 2.20mm pitch Crimp Terminal	REV: A0	SHEET: 1/1