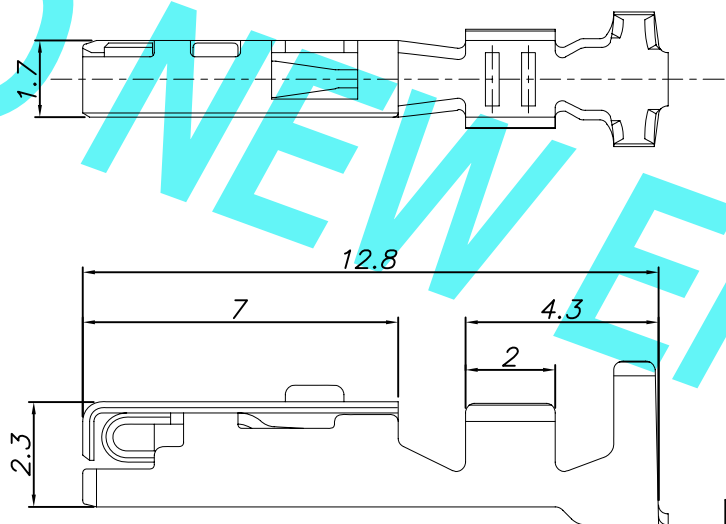


环保物料

Reference Informations:
*Used in 42204 Receptacle Housing



Ordering Information & Specifications

| Part No | Wire Range | Insulation O. D. | Material | Finish |
|-----------------|----------------|-------------------------------|--------------------|----------|
| 42204T 0P-** | AWG#28 -#24 | 0.85mm-1.43mm (0.85mm max) | Phosphor Bronze | Au or Sn |
| 42204T 1P-** | AWG#22 -#18 | 1.6mm-2.1mm (2.1mm max) | Phosphor Bronze | Au or Sn |

Unit: mm

| | | | | | | | | | | |
|------|-----------------|------------|----------|--------------------|----------|---------------|------|------------|--|--------------------------|
| | | | | GENERAL TOLERANCES | | SCALE: 1:1 | NAME | DATE | 东莞市康号新能源科技有限公司 DONGGUAN KD NEW ENERGY TECHNOLOGY CO., LTD 公司地址: www.dgoonne.cn 公司电话: 0769-85337633 邮编: 2850175986@qq.com 公司传真: 0769-85392827 | PART. NO: 42204T*P-** |
| | | | | LINEAR | ANGLES | APPROVED | | | | DWG. NO: ENDE05 |
| A0 | 新图面发行 | 2018.07.28 | UNIT: MM | 0.00±0.15 | X° ±3° | DESIGNER | | | TITLE: 2.20mm pitch Crimp Terminal | |
| REV. | REVISION RECORD | DATE | SIZE: A4 | 0.000±0.08 | X° X'±2° | DRAWN | 肖丽娟 | 2018.07.28 | REV: | A0 SHEET: 1/1 |