

环保物料

Reference Informations:

*Material: PBT, UL94V-0

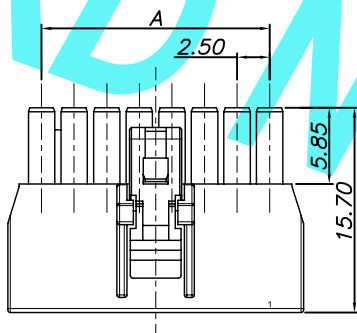
*Suitable 42508 series Terminal

Dimensional Information:

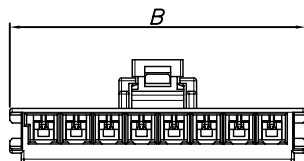
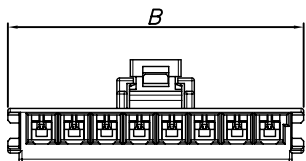
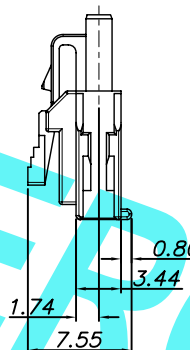
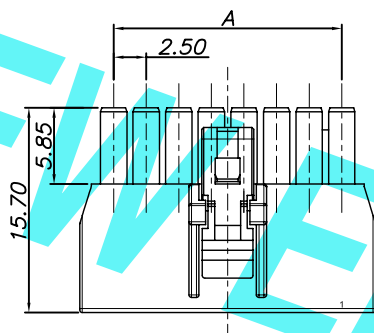
Part No.	Dimensions	
	A	B
2P	2.50	7.70
3P	5.00	10.20
4P	7.50	12.70
5P	10.00	15.20
6P	12.50	17.70
7P	15.00	20.20
8P	17.50	22.70

Unit: mm

42508H00-NP*-L-PT



42508H00-NP*-R-PT



		GENERAL TOLERANCES		SCALE: 1:1	NAME	DATE	东莞市康号新能源科技有限公司 DONGGUAN KD NEW ENERGY TECHNOLOGY CO., LTD 公司地址: www.dgkonne.cn 公司电话: 0769-85337633 邮箱: 2850175986@qq.com 公司传真: 0769-86392827	PART. NO: 42508H00-NP*-*-PT	
		LINEAR: 0.0±0.25 ANGLES: X° REF±6°		APPROVED				DWG. NO: ENDE05	
A0	新图面发行	2018.07.28	UNIT: MM	0.00±0.15	X° ±3°		TITLE: 2.50mm pitch Single Housing		
REV.	REVISION RECORD	DATE	SIZE: A4	0.000±0.08	X° X'±2°	DRAWN 肖丽娟	2018.07.28	REV: A0	SHEET: 1/1