

环保物料

Reference Informations:

*Material: Pin: Brass

Wafer: Nylon & PBT, UL94V-0

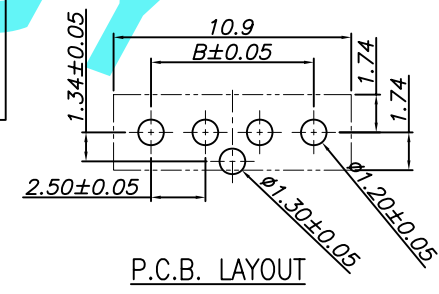
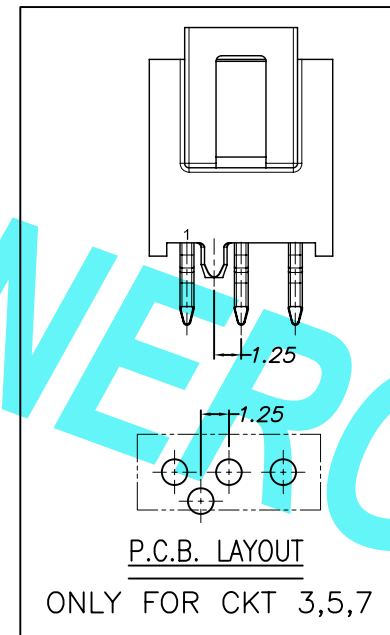
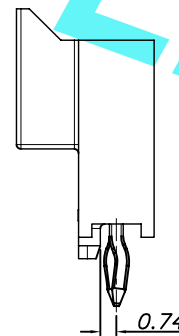
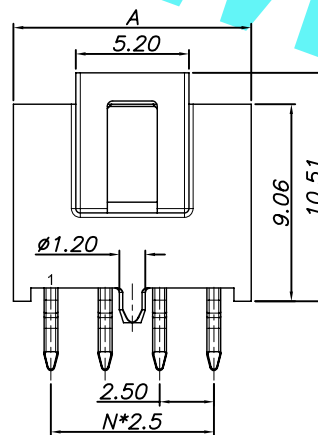
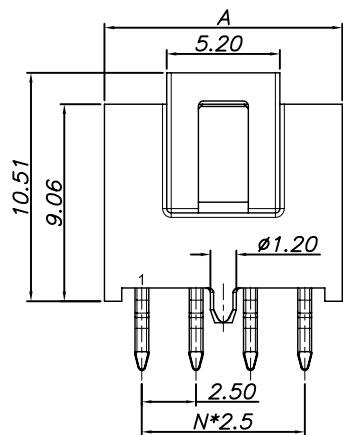
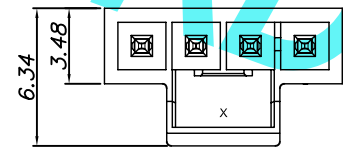
Dimensional Information:

42508W00-NP*-A1-**-**

42508W01-NP*-A1-**-**

Part No.	Dimensions A	Dimensions B
2P	5.94	2.50
3P	8.44	5.00
4P	10.94	7.50
5P	13.44	10.00
6P	15.94	12.50
7P	18.44	15.00
8P	20.94	17.50

Unit: mm



P.C.B. LAYOUT

		GENERAL TOLERANCES		SCALE:	NAME	DATE	东莞市康导新能源科技有限公司 DONGGUANG KD NEW ENERGY TECHNOLOGY CO., LTD 公司地址: www.dgoonne.cn 公司电话: 0769-85337633 邮箱: 2850175986@qq.com 公司传真: 0769-85392827	PART. NO:
			LINEAR	1:1				42508W0*-NP*-A1-**-**
			ANGLES	APPROVED				
A0	新图面发行	UNIT: MM	0.00±0.15	DESIGNER				DWG. NO:
REV.	REVISION RECORD	DATE	SIZE: A4	DRAWN	肖丽娟	2018.07.28	ENDE05	
			0.00±0.08				REV: A0	SHEET: 1/1

TITLE:
2.50mm pitch Single Wafer