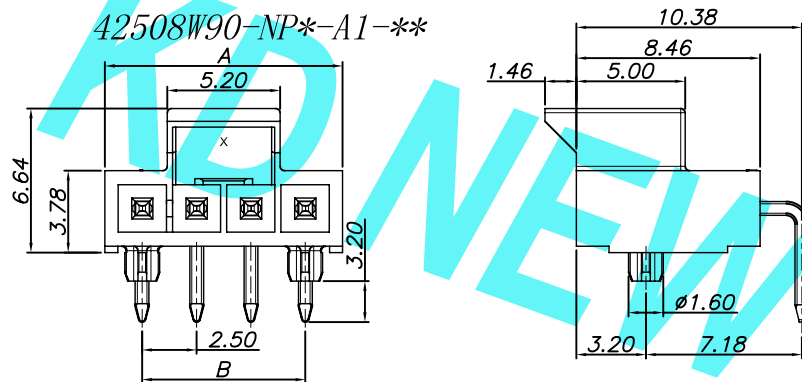


环保物料

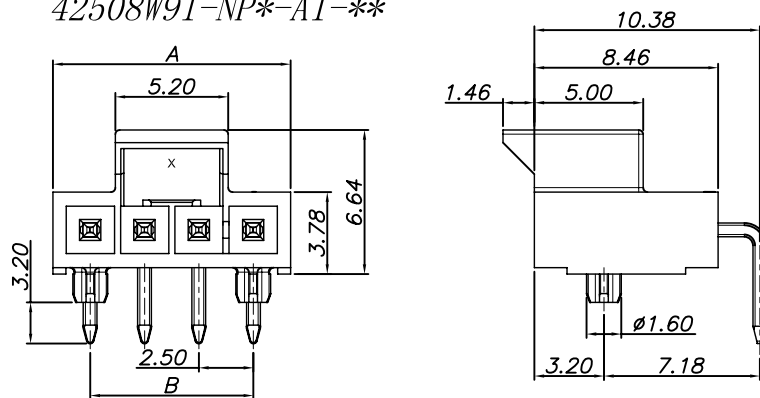
Reference Informations:

*Material: Pin: Brass

Wafer: Nylon & PBT, UL94V-0



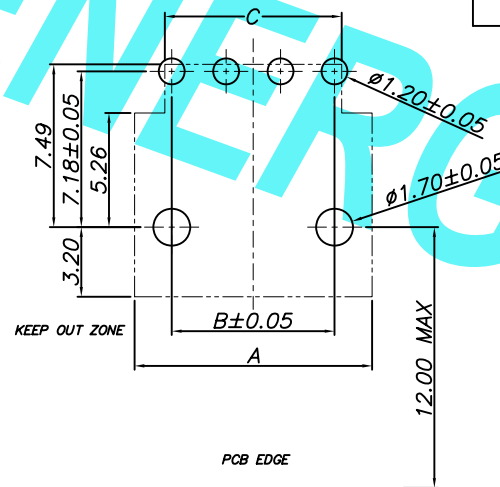
42508W91-NP*-A1-**-A1



Dimensional Information:

Part No.	Dimensions		
	A	B	C
2P	5.94	2.50	3.14
3P	8.44	5.00	5.64
4P	10.94	7.50	8.14
5P	13.44	10.00	10.64
6P	15.94	12.50	13.14
7P	18.44	15.00	15.64
8P	20.94	17.50	18.14

Unit: mm



P.C.B. LAYOUT

		GENERAL TOLERANCES		SCALE:	NAME	DATE	东莞市康导新能源科技有限公司 DONGGUAN KD NEW ENERGY TECHNOLOGY CO., LTD. 公司网址: www.dgkonne.cn 公司电话: 0769-85337533 邮箱: 2850175986@qq.com 公司传真: 0769-85392827		PART. NO:	
				1:1					42508W9*-NP*-A1-**-A1	
				APPROVED					DWG. NO:	
A0	新图面发行	2018.07.28	UNIT: MM	DESIGNER			TITLE:		ENDE05	
REV.	REVISION RECORD	DATE	SIZE: A4	DRAWN	肖丽娟	2018.07.28	2.50mm pitch Single Wafer		REV:	A0
									SHEET:	1/1