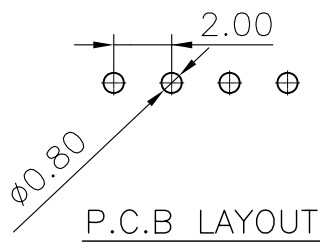
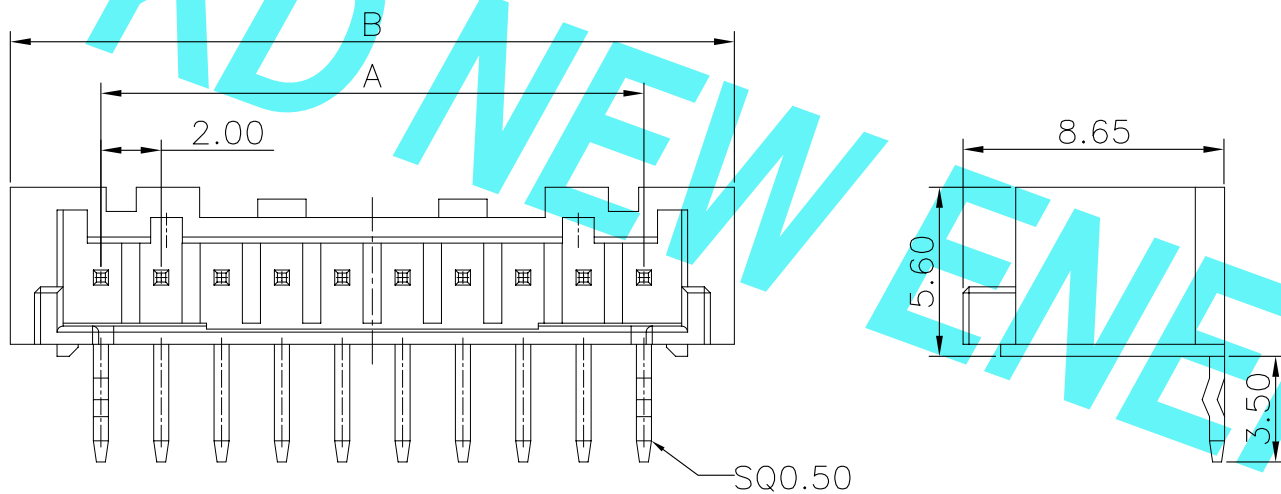


环保物料

Reference Informations:

\*Material: Pin: Brass/Tin-plated  
Wafer: Nylon 66, UL94V-0

Dimensional Information:



Part No.	Dimensions	
	A	B
3P	4.00	10.00
4P	6.00	12.00
5P	8.00	14.00
6P	10.00	16.00
7P	12.00	18.00
8P	14.00	20.00
9P	16.00	22.00
10P	18.00	24.00
11P	20.00	26.00
12P	22.00	28.00
13P	24.00	30.00
14P	26.00	32.00
15P	28.00	34.00
16P	30.00	36.00

Unit: mm

				GENERAL TOLERANCES		SCALE: 1:1	NAME	DATE	<b>东莞市康号新能源科技有限公司</b> DONGGUANG KD NEW ENERGY TECHNOLOGY CO., LTD 公司网址: www.dgkonne.cn 公司电话: 0769-85337633 邮箱: 2850175986@qq.com 公司传真: 0769-86392827	PART. NO:
				LINEAR      ANGLES 0.0±0.25    X° REF±6°		APPROVED				22002W90-NP-A1-**
A0	新图面发行	2018.07.28	UNIT: MM	0.00±0.15    X° ±3°		DESIGNER				DWG. NO:
REV.	REVISION RECORD	DATE	SIZE: A4	0.000±0.08    X° X'±2°		DRAWN	肖丽娟	2018.07.28		TITLE:
						2.00mm pitch Single Wafer			REV: A0	SHEET: 1/1