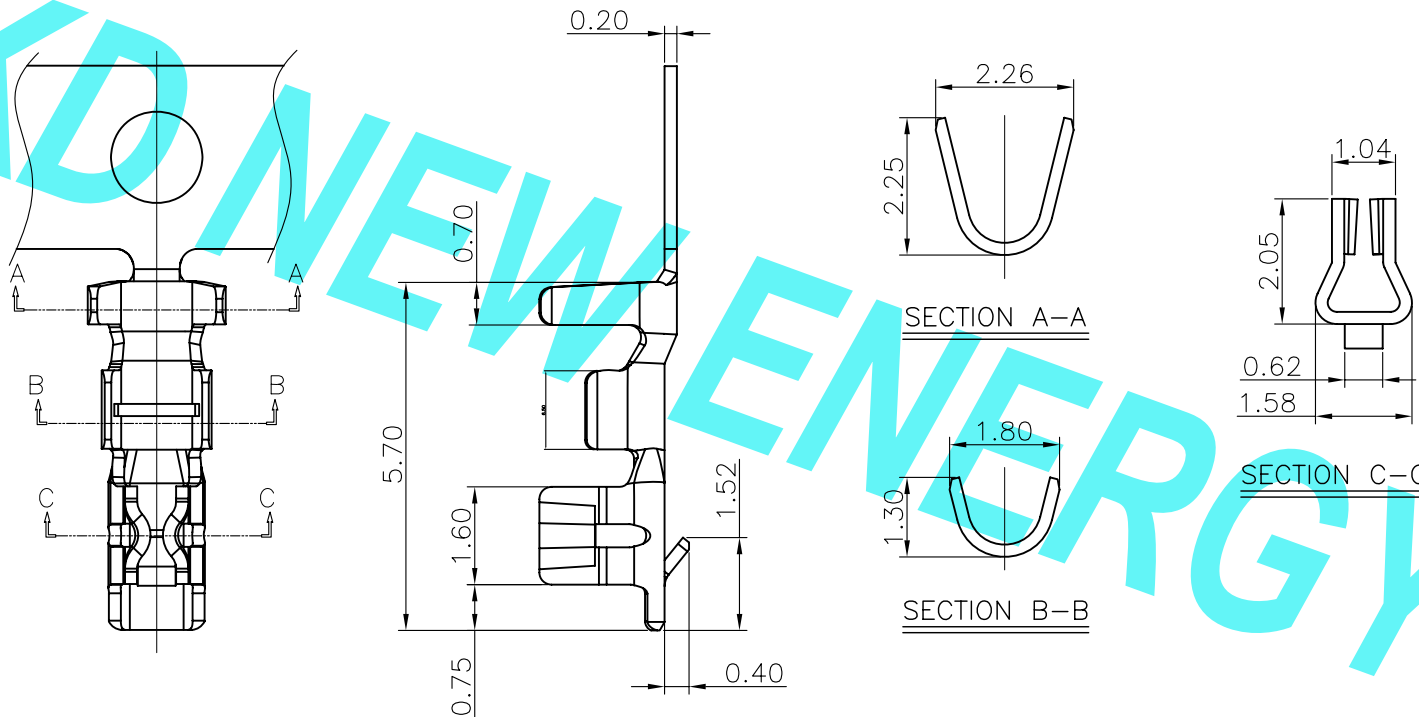


环保物料

Reference Informations:
*Used in 22003 series Housing



Ordering Information & Specifications

Unit: mm

Part No	Wire Range	Insulation O.D.	Material	Finish	Qty/reel
22003TOP-**	AWG #22-#28	1.45mm(max)	Phosphor Bronze	Au or Sn	10,000pcs

REV.	REVISION RECORD	DATE	UNIT: MM	GENERAL TOLERANCES		SCALE: 1:1	NAME	DATE	 东莞市康号新能源科技有限公司 DONGGUANG KD NEW ENERGY TECHNOLOGY CO., LTD. 公司地址: www.dgkonne.cn 公司电话: 0769-85337633 邮箱: 2860175988@qq.com 公司传真: 0769-85392827	PART. NO: 22003TOP-**	
				SIZE: A4	0.000±0.08					X° X'±2°	DWG. NO: ENDE05
A0	新图面发行	2018.07.28	UNIT: MM	0.00±0.15	X° ±3°	APPROVED				TITLE: 2.00mm pitch Crimp Terminal	
						DESIGNER					
						DRAWN	肖丽娟	2018.07.28			