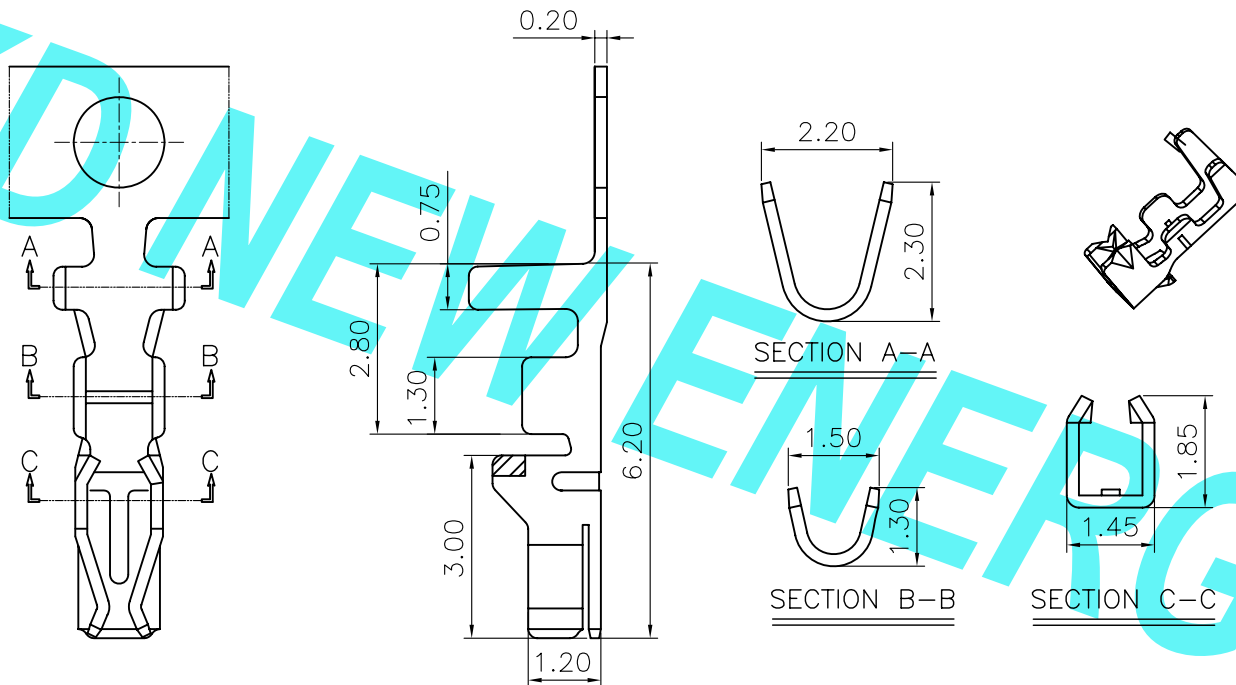


环保物料

Reference Informations:
*Used in 22005 series Housing



Ordering Information & Specifications

Unit: mm

Part No	Wire Range	Insulation O. D.	Material	Finish	Qty/reel
22005TOP-***	AWG#24-#28	1.60mm(max)	Phosphor Bronze	Au or Sn	10,000pcs

REV.	REVISION RECORD	DATE	UNIT: MM	SIZE: A4	GENERAL TOLERANCES		SCALE: 1:1	NAME	DATE	东莞市康号新能源科技有限公司 DONGGUAN KD NEW ENERGY TECHNOLOGY CO., LTD. 公司地址: www.dgkonne.cn 公司电话: 0769-85337633 邮箱: 2850175988@qq.com 公司传真: 0769-85392827	PART. NO: 22005TOP-***	
					LINEAR	ANGLES					APPROVED	
A0	新图面发行	2018.07.28	MM	A4	0.00±0.15	X° ±3°					TITLE: 2.00mm pitch Crimp Terminal	
					0.00±0.08	X° X'±2°		肖丽娟	2018.07.28			