

环保物料

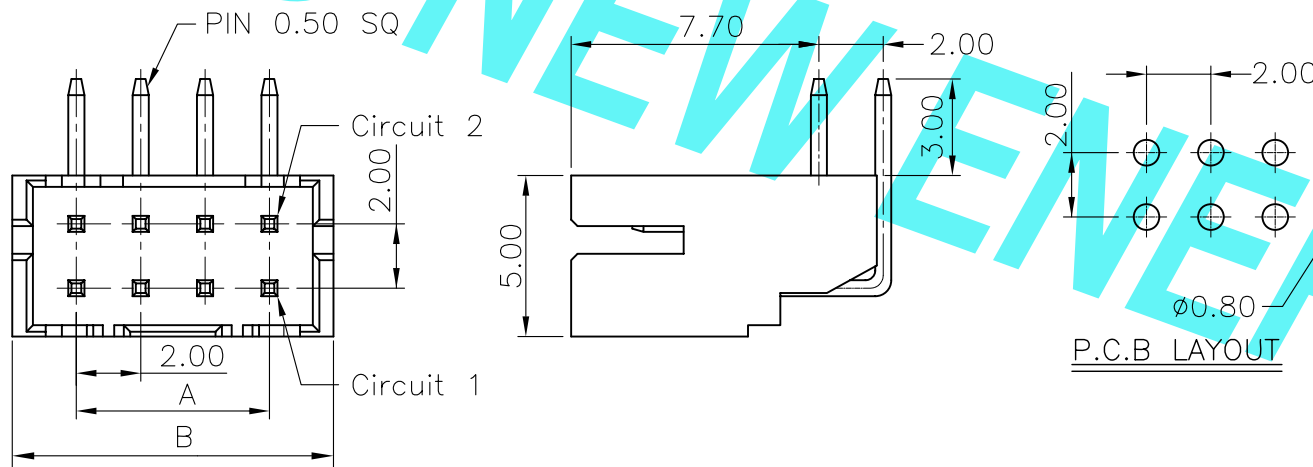
Reference Informations:

*Material: Pin: Brass/Gold-flash

Wafer: Nylon 46, UL94V-0

Dimensional Information:

Part No.	Dimensions	
	A	B
2*2P	2.00	6.00
2*3P	4.00	8.00
2*4P	6.00	10.00
2*5P	8.00	12.00
2*6P	10.00	14.00
2*7P	12.00	16.00
2*8P	14.00	18.00
2*9P	16.00	20.00
2*10P	18.00	22.00
2*11P	20.00	24.00
2*12P	22.00	26.00
2*13P	24.00	28.00
2*14P	26.00	30.00
2*15P	28.00	32.00
2*16P	30.00	34.00



Unit: mm

				GENERAL TOLERANCES		SCALE: 1:1	NAME	DATE	<p>东莞市康导新能源科技有限公司 DONGGUANG KD NEW ENERGY TECHNOLOGY CO., LTD 公司网址: www.dgkonne.cn 公司电话: 0769-85337633 电子邮箱: 2850175988@qq.com 公司传真: 0769-85392827</p>	PART. NO:	
				LINEAR	ANGLES	APPROVED				22005W90-2xNP-A1-**	
				0.0±0.25	X° REF±6°	DESIGNER				DWG. NO:	
A0	新图面发行	2018.07.28	UNIT: MM	0.00±0.15	X° ±3°	DRAWN	肖丽娟	2018.07.28		TITLE:	ENDE05
REV.	REVISION RECORD	DATE	SIZE: A4	0.000±0.08	X° X'±2°				2.00mm pitch Dual Wafer	REV: A0	SHEET: 1/1