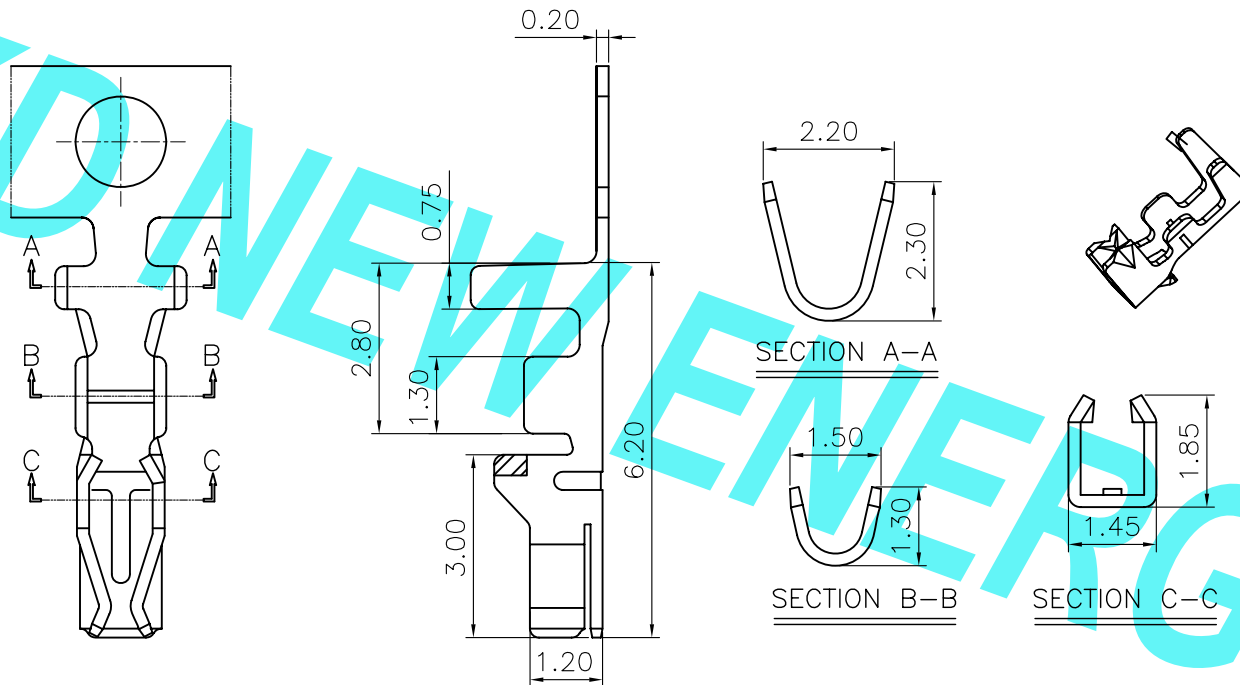


环保物料


Reference Informations:
*Used in 22005 series Housing



Ordering Information & Specifications

Unit: mm

Part No	Wire Range	Insulation O. D.	Material	Finish	Qty/reel
22005TOP-**	AWG#24-#28	1.60mm (max)	Phosphor Bronze	Au or Sn	10,000pcs

REV.	REVISION RECORD	DATE	SIZE: A4	GENERAL TOLERANCES		SCALE: 1:1	NAME	DATE	 东莞市康号新能源科技有限公司 DONGGUANG KD NEW ENERGY TECHNOLOGY CO., LTD. 公司地址: www.dgkonne.cn 公司电话: 0769-85337633 邮箱: 2860175988@qq.com 公司传真: 0769-85392827	PART. NO: 22005TOP-**	
				LINEAR	ANGLES					DWG. NO: ENDE05	REV: A0
A0	新图面发行	2018.07.28	UNIT: MM	0.00±0.15	X° ±3°	APPROVED			TITLE: 2.00mm pitch Crimp Terminal		
				0.00±0.08	X° X'±2°	DESIGNER	肖丽娟	2018.07.28			