

环保物料

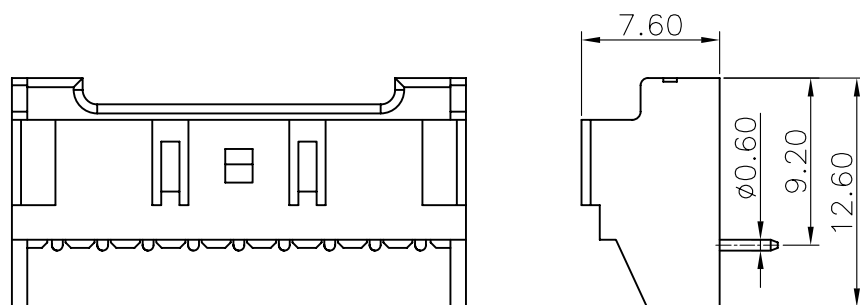
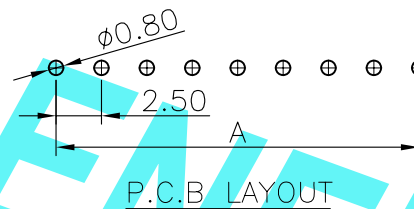
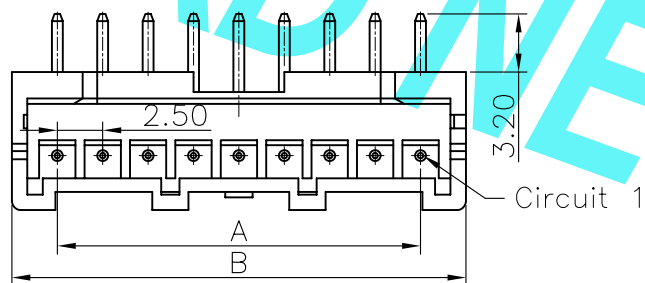
Reference Informations:

*Material: Pin: Brass/Tin-plated

Wafer: Nylon 6T, UL94V-0

Dimensional Information:

Part No.	Dimensions	
	A	B
2P	--	7.30
3P	5.00	9.80
4P	7.50	12.30
5P	10.00	14.80
6P	12.50	17.30
7P	15.00	19.80
8P	17.50	22.30
9P	20.00	24.80
10P	22.50	27.30
11P	25.00	29.80
12P	27.50	32.30
13P	30.00	34.80
14P	32.50	37.30
15P	35.00	39.80
20P	47.50	52.30



Unit: mm

REV.	REVISION RECORD	DATE	UNIT: MM	GENERAL TOLERANCES		SCALE: 1:1	NAME	DATE	东莞市康导新能源科技有限公司 DONGGUANG KD NEW ENERGY TECHNOLOGY CO., LTD. 公司地址: www.dgkonne.cn 公司电话: 0769-85337633 邮箱: 2850175986@qq.com 公司传真: 0769-86392827	PART. NO:		
				LINEAR	ANGLES					22501W90-NP-A1-**		
A0	新图面发行	2018.07.28	UNIT: MM	0.00±0.15	X° ±3°	APPROVED					DWG. NO:	
			SIZE: A4	0.000±0.08	X° X'±2°	DESIGNER					ENDE05	
						DRAWN	肖丽娟	2018.07.28	TITLE: 2.50mm pitch Single Wafer		REV: A0	SHEET: 1/1