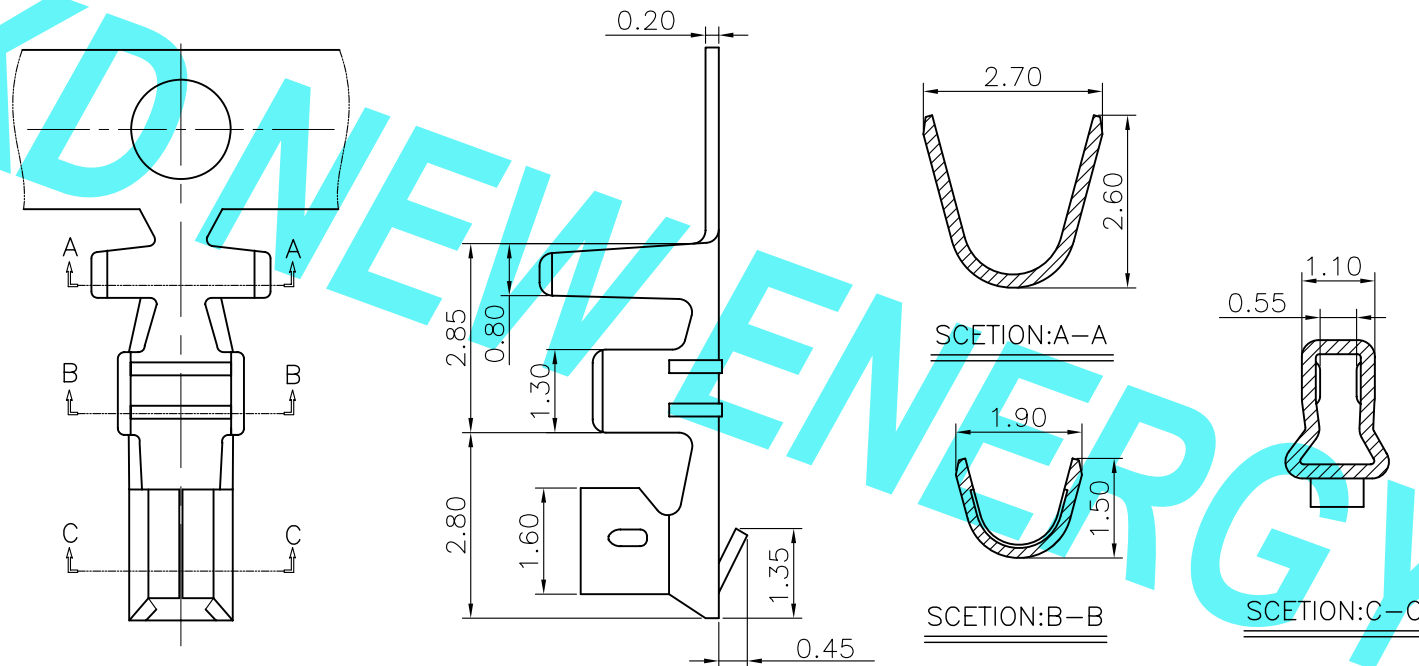


环保物料

Reference Informations:  
\*Used in 22502 series Housing



Ordering Information & Specifications

Unit: mm

Part No	Wire Range	Insulation O.D.	Material	Finish	Qty/reel
22502TOP-**	AWG#22-#28	1.90mm(max)	Phosphor Bronze	Au or Sn	10,000pcs

REV.	REVISION RECORD	DATE	UNIT: MM	GENERAL TOLERANCES		SCALE: 1:1	NAME	DATE	 <b>东莞市康号新能源科技有限公司</b> DONGGUAN KD NEW ENERGY TECHNOLOGY CO., LTD. 公司地址: www.dgkonne.cn 公司电话: 0769-85337633 邮箱: 2850175988@qq.com 公司传真: 0769-85392827	PART. NO:			
				LINEAR	ANGLES					22502TOP-**			
A0	新图面发行	2018.07.28	UNIT: MM	0.00±0.15	X° ±3°	APPROVED					DWG. NO:	ENDE05	
REV.	REVISION RECORD	DATE	SIZE: A4	0.000±0.08	X° X'±2°	DESIGNER	肖丽娟	2018.07.28	TITLE:		REV:	A0	SHEET: 1/1