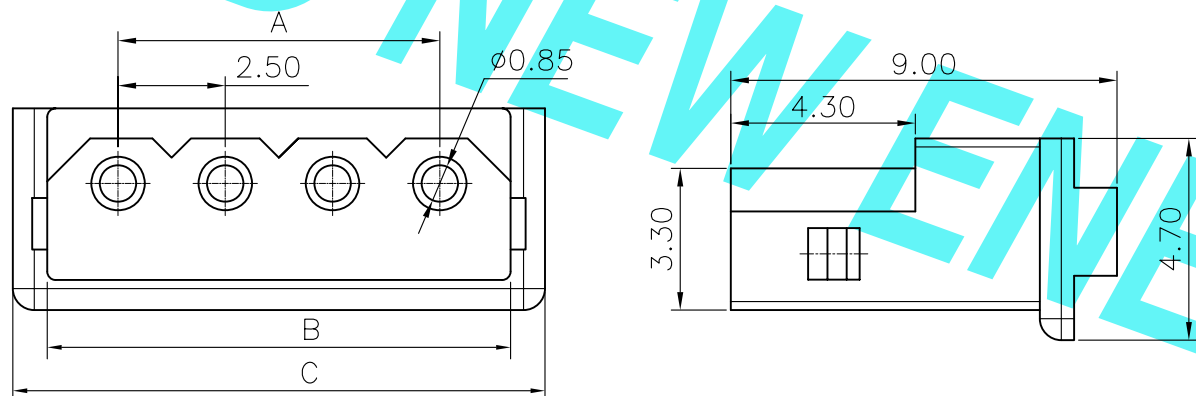


环保物料

Reference Informations:

\*Material: Nylon 66, UL94V-0

\*Suitable 22503 series Terminal



Dimensional Information:

Part No.	Dimensions		
	A	B	C
2P	2.50	5.80	7.40
3P	5.00	8.30	9.90
4P	7.50	10.80	12.40
5P	10.00	13.30	14.90
6P	12.50	15.80	17.40
7P	15.00	18.30	19.90
8P	17.50	20.80	22.40
9P	20.00	23.30	24.90
10P	22.50	25.80	27.40
11P	25.00	28.30	29.90
12P	27.50	30.80	32.40
13P	30.00	33.30	34.90
14P	32.50	35.80	37.40
15P	35.00	38.30	39.90
16P	37.50	40.80	42.40
17P	40.00	43.30	44.90
18P	42.50	45.80	47.40
19P	45.00	48.30	49.90
20P	47.50	50.80	52.40

Unit: mm

				GENERAL TOLERANCES		SCALE: 1:1	NAME	DATE	 <b>东莞市康导新能源科技有限公司</b> DONGGUANG KD NEW ENERGY TECHNOLOGY CO., LTD. 公司地址: www.dgkonne.cn 公司电话: 0769-85337633 邮箱: 2860175988@qq.com 公司传真: 0769-85392827	PART. NO:
				LINEAR	ANGLES	APPROVED				22503H00-NP*-66-01
				0.0±0.25	X° REF±6°	DESIGNER				DWG. NO:
A0	新图面发行	2018.07.28	UNIT: MM	0.00±0.15	X° ±3°	DRAWN	肖丽娟	2018.07.28		ENDE05
REV.	REVISION RECORD	DATE	SIZE: A4	0.000±0.08	X° X'±2°	TITLE: 2.50mm pitch Single Housing			REV: A0	SHEET: 1/1