

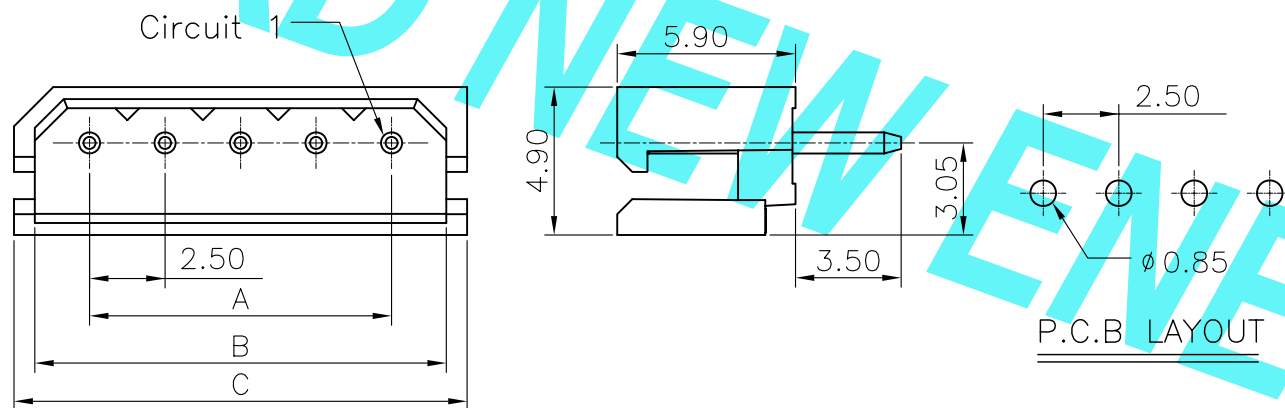
环保物料

Reference Informations:

*Material: Pin: Brass/Tin-plated
Wafer: Nylon 6T, UL94V-0

Dimensional Information:

Part No.	Dimensions		
	A	B	C
2P	2.50	6.10	7.50
3P	5.00	8.60	10.00
4P	7.50	11.10	12.50
5P	10.00	13.60	15.00
6P	12.50	16.10	17.50
7P	15.00	18.60	20.00
8P	17.50	21.10	22.50
9P	20.00	23.60	25.00
10P	22.50	26.10	27.50
11P	25.00	28.60	30.00
12P	27.50	31.10	32.50
13P	30.00	33.60	35.00
14P	32.50	36.10	37.50
15P	35.00	38.60	40.00



Unit: mm

				GENERAL TOLERANCES		SCALE: 1:1	NAME	DATE	 东莞市康导新能源科技有限公司 DONGGUAN KD NEW ENERGY TECHNOLOGY CO., LTD 公司网址: www.dgkonne.cn 公司电话: 0769-85337633 邮箱: 2860175988@qq.com 公司传真: 0769-85392827	PART. NO:	22503W00-NP*-A1-**	
				LINEAR	ANGLES	APPROVED				DWG. NO:	ENDE05	
				0.0±0.25	X° REF±6°	DESIGNER				TITLE:		
A0	新图面发行	2018.07.28	UNIT: MM	0.00±0.15	X° ±3°	DRAWN	肖丽娟	2018.07.28		2.50mm pitch Single Wafer		
REV.	REVISION RECORD	DATE	SIZE: A4	0.000±0.08	X° X'±2°				REV:	A0	SHEET:	1/1