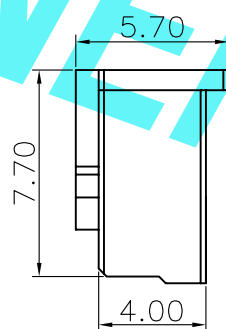
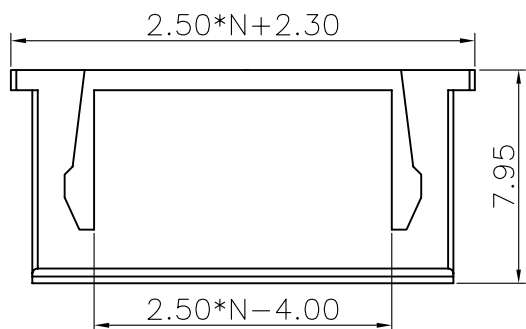
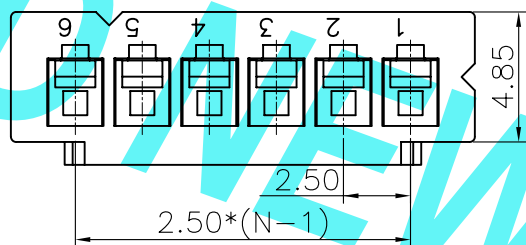


环保物料

Reference Informations:

*Material: Nylon 66, UL94V-0

*Suitable 22506 series Terminal



KONGWANG ENERGY

				GENERAL TOLERANCES		SCALE: 1:1	NAME	DATE	 东莞市康号新能源科技有限公司 DONGGUANG KD NEW ENERGY TECHNOLOGY CO., LTD. 公司地址: www.dgkonne.cn 公司电话: 0769-85337633 邮箱: 2850175988@qq.com 公司传真: 0769-85392827	PART. NO: 22506H00-NP-66-02	
				LINEAR	ANGLES	APPROVED				DWG. NO: ENDE05	
A0	新图面发行	2018.07.28	UNIT: MM	0.00±0.15	X° REF±6°	DESIGNER			TITLE: 2.50mm pitch Single Housing	REV: A0	SHEET: 1/1
REV.	REVISION RECORD	DATE	SIZE: A4	0.000±0.08	X° X'±2°	DRAWN	肖丽娟	2018.07.28			