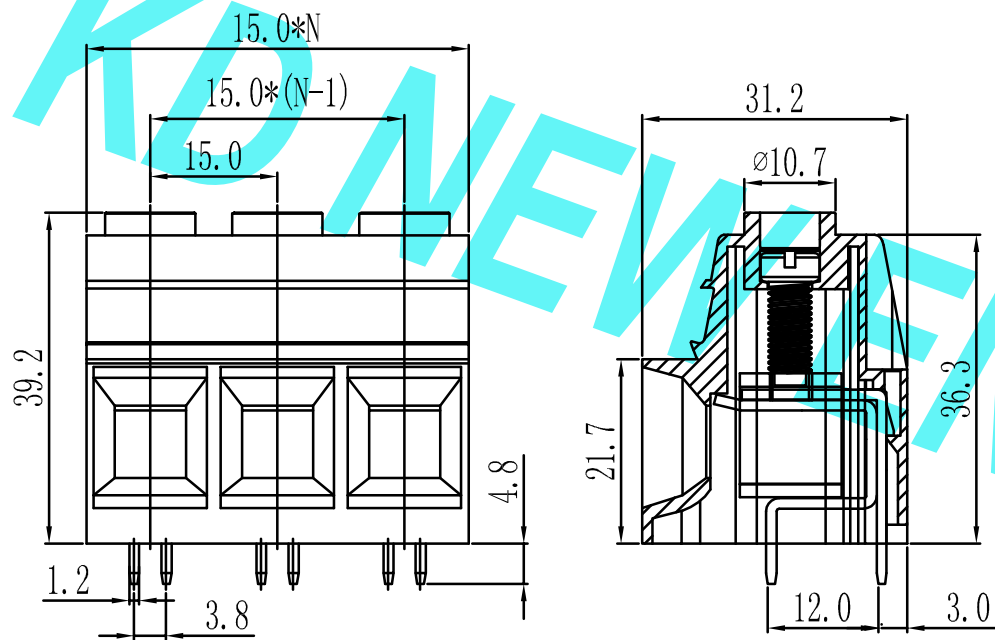


环保物料



N=Number of Contacts

产品型号	MODEL	KD137	
材质&电镀	MATERIAL&PLATING		
螺丝	Screw	M5.0, 钢, 镀锌 steel, Zinc Plated	
弹片	Reed	钢, 镀镍 Brass, Ni plated	
焊针	Pin header	黄铜, 镀锡 Brass, Tin plated	
塑件	Housing	PA66, UL94V-0	
电气性能	ELECTRICAL	UL	IEC
额定电压	Rated voltage	600V	1000V
额定电流	Rated current	90A	125A
接触电阻	Contact resistance	20mΩ	
绝缘电阻	Insulation resistance	500MΩ/1000V	
耐电压	Withstanding voltage	AC3500V/1min	
使用线径	Wire range	24-2AWG 25.0mm <sup>2</sup>	
机械性能	MECHANICAL		
温度范围	Temp. range	-40℃~+105℃	
瞬时温度	Max. soldering	+250℃, 5sec	
扭矩	Torque	2.0N.m 17.5Lb.in	
剥线长度	Strip length	15-18mm	

		GENERAL TOLERANCES		SCALE:	NAME	DATE	东莞市康导新能源科技有限公司 DONGGUANG KD NEW ENERGY TECHNOLOGY CO., LTD. 公司网址: www.dgconne.cn 公司电话: 0769-85337633 邮 箱: 2850175986@qq.com 公司传真: 0769-85392827		PART. NO:	KD137	
				1:1	APPROVED				DWG. NO:	KDTB-0060	
				0.0±0.25	X° REF±6°				REV:	AO	SHEET: 1/1
AO	新图面发行	2019.02.14	UNIT: MM	0.00±0.15	X° ±3°	DESIGNER		TITLE:		15.00mm pitch EURO TERMINAL BLOCKS	
REV.	REVISION RECORD	DATE	SIZE: A4	0.000±0.08	X° X'±2°	DRAWN	肖丽娟	2019.02.14			