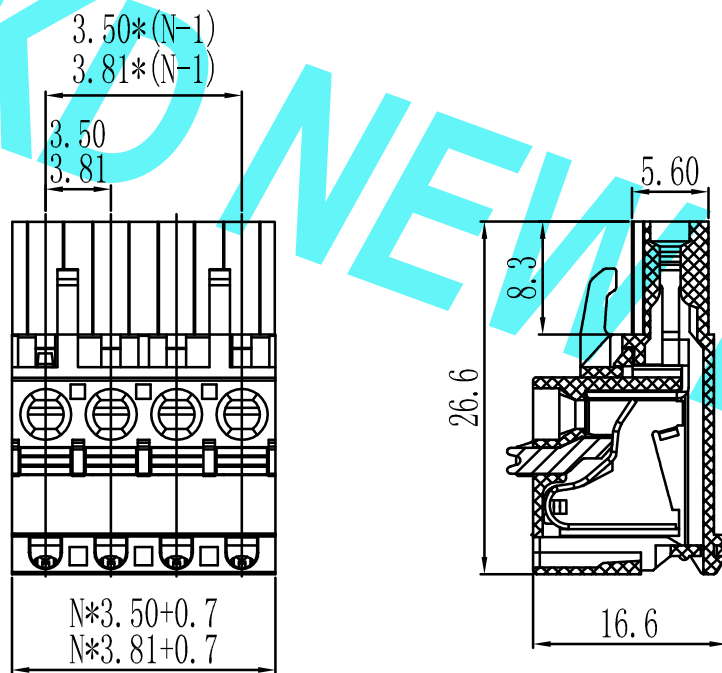


环保物料



N=Number of Contacts

|       |                       |                                 |      |
|-------|-----------------------|---------------------------------|------|
| 产品型号  | MODEL                 | KD2EKDA                         |      |
| 材质&电镀 | MATERIAL&PLATING      |                                 |      |
| 螺丝    | Screw                 | -                               |      |
| 弹片    | Reed                  | 磷青铜 Phosphor Bronze             |      |
| 焊针    | Pin header            | -                               |      |
| 塑件    | Housing               | PA66, UL94V-0                   |      |
| 电气性能  | ELECTRICAL            | UL                              | IEC  |
| 额定电压  | Rated voltage         | 300V                            | 250V |
| 额定电流  | Rated current         | 8A                              | 7A   |
| 接触电阻  | Contact resistance    | 20mΩ                            |      |
| 绝缘电阻  | Insulation resistance | 500MΩ/1000V                     |      |
| 耐电压   | Withstanding voltage  | AC1500V/1min                    |      |
| 使用线径  | Wire range            | 28-16AWG 0.5-1.5mm <sup>2</sup> |      |
| 机械性能  | MECHANICAL            |                                 |      |
| 温度范围  | Temp. range           | -40℃~+105℃                      |      |
| 瞬时温度  | Max. soldering        | +250℃, 5sec                     |      |
| 扭矩    | Torque                | -                               |      |
| 剥线长度  | Strip length          | 9mm                             |      |

|      |                 |            |          |                    |          |          |          |            |   |  |            |  |
|------|-----------------|------------|----------|--------------------|----------|----------|----------|------------|---|--|------------|--|
|      |                 |            |          | GENERAL TOLERANCES |          | SCALE:   | NAME     | DATE       | <b>东莞市康导新能源科技有限公司</b><br>DONGGUANG KD NEW ENERGY TECHNOLOGY CO., LTD.<br>公司网址: www.dgconne.cn 公司电话: 0769-85337633<br>邮 箱: 2850175986@qq.com 公司传真: 0769-85392827 | PART. NO:  | KD2EKDA    |  |
|      |                 |            |          | LINEAR             | ANGLES   | 1:1      | APPROVED |            |   | DWG. NO:   | KDTB-0079  |  |
| A0   | 新图面发行           | 2019.02.18 | UNIT: MM | 0.00±0.15          | X° ±3°   | DESIGNER |          |            | TITLE:  | 2.50/3.50/3.81mm pitch PLUGGABLE TERMINAL BLOCKS |            |  |
| REV. | REVISION RECORD | DATE       | SIZE: A4 | 0.000±0.08         | X° X'±2° | DRAWN    | 肖丽娟      | 2019.02.18 | REV:  | A0   | SHEET: 1/1 |  |