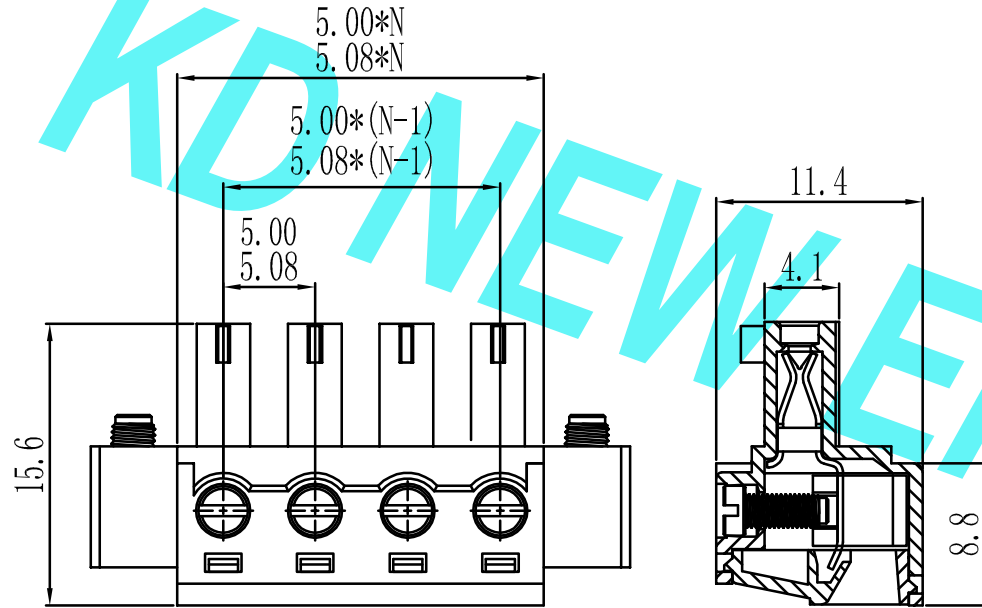


环保物料



N=Number of Contacts

产品型号	MODEL	KD2EDGM-Y	
材质&电镀	MATERIAL&PLATING		
螺丝	Screw	M2.0, 钢, 镀锌 Steel, Zinc Plated	
弹片	Reed	磷青铜 Phosphor Bronze	
焊针	Pin header	-	
塑件	Housing	PA66, UL94V-0	
电气性能	ELECTRICAL	UL	IEC
额定电压	Rated voltage	300V	320V
额定电流	Rated current	8A	7A
接触电阻	Contact resistance	20mΩ	
绝缘电阻	Insulation resistance	500MΩ/1000V	
耐电压	Withstanding voltage	AC2000V/1min	
使用线径	Wire range	28-16AWG 0.5-1.5mm ²	
机械性能	MECHANICAL		
温度范围	Temp. range	-40℃~+105℃	
瞬时温度	Max. soldering	+250℃, 5sec	
扭矩	Torque	0.2N.m 1.7Lb.in	
剥线长度	Strip length	5-6mm	

		GENERAL TOLERANCES		SCALE: 1:1	NAME	DATE	 东莞市康导新能源科技有限公司 DONGGUANG KD NEW ENERGY TECHNOLOGY CO., LTD. 公司网址: www.dgconne.cn 公司电话: 0769-85337633 邮 箱: 2850175986@qq.com 公司传真: 0769-85392827	PART. NO:	KD2EDGM-Y		
		LINEAR 0.0±0.25 ANGLES X° REF±6°		APPROVED				DWG. NO:	KDTB-0103		
AO	新图面发行	2019.02.18	UNIT: MM	0.00±0.15	X° ±3°		TITLE:	5.00/5.08mm pitch PLUGGABLE TERMINAL BLOCKS			
REV.	REVISION RECORD	DATE	SIZE: A4	0.000±0.08	X° X'±2°	DRAWN	肖丽娟	2019.02.18	REV:	AO	SHEET: 1/1