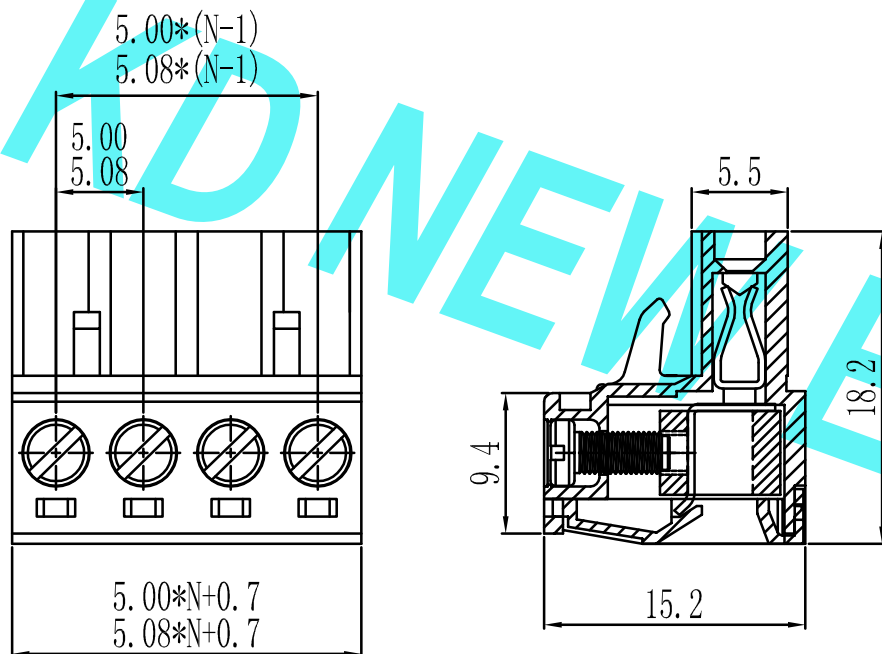


环保物料



N=Number of Contacts

产品型号	MODEL	KD222	
材质&电镀	MATERIAL&PLATING		
螺丝	Screw	M2.5, 钢, 镀锌 Steel, Zinc Plated	
弹片	Reed	磷青铜 Phosphor Bronze	
焊针	Pin header	-	
塑件	Housing	PA66, UL94V-0	
电气性能	ELECTRICAL	UL	IEC
额定电压	Rated voltage	300V	320V
额定电流	Rated current	15A	20A
接触电阻	Contact resistance	20mΩ	
绝缘电阻	Insulation resistance	500MΩ/1000V	
耐电压	Withstanding voltage	AC2000V/1min	
使用线径	Wire range	28-12AWG 2.5mm ²	
机械性能	MECHANICAL		
温度范围	Temp. range	-40℃~+105℃	
瞬时温度	Max. soldering	+250℃, 5sec	
扭矩	Torque	0.4N.m 3.5Lb. in	
剥线长度	Strip length	7-8mm	

		GENERAL TOLERANCES		SCALE:	NAME	DATE	东莞市康导新能源科技有限公司 DONGGUAN KD NEW ENERGY TECHNOLOGY CO., LTD. 公司网址: www.dgconne.cn 公司电话: 0769-85337633 邮 箱: 2850175986@qq.com 公司传真: 0769-85392827		PART. NO:	KD222		
				1:1	APPROVED			DWG. NO: KDTB-0110 REV: AO SHEET: 1/1				
		0.0±0.25 X° REF±6°		DESIGNER								
AO	新图面发行	2019.02.18	UNIT: MM	0.00±0.15 X° ±3°	DRAWN	肖丽娟	2019.02.18	TITLE:	5.00/5.08mm pitch PLUGGABLE TERMINAL BLOCKS			
REV.	REVISION RECORD	DATE	SIZE: A4	0.000±0.08 X° X'±2°								