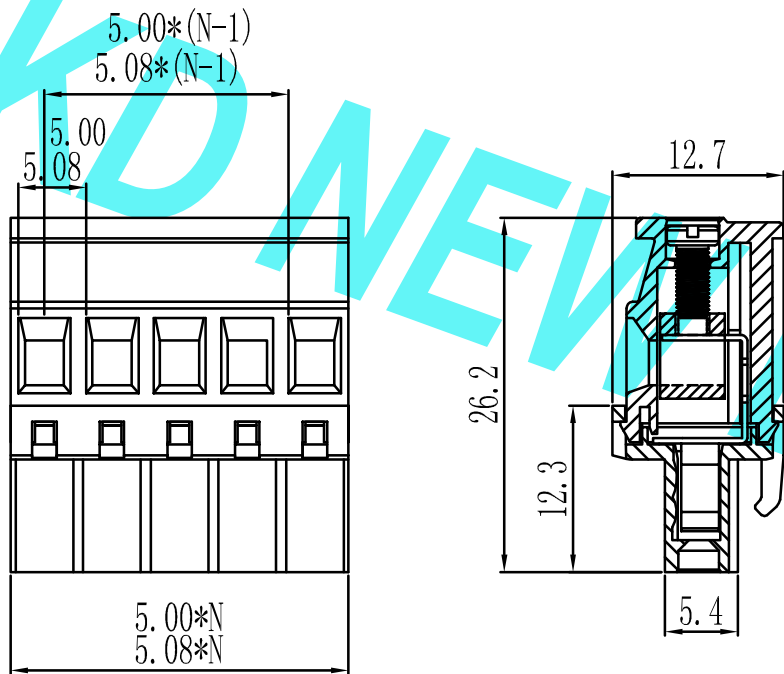


环保物料



N=Number of Contacts

产品型号	MODEL	KD2EDGKB	
材质&电镀	MATERIAL&PLATING	M2.5, 钢, 镀锌 Steel, Zinc plated	
螺丝	Screw	磷青铜 Phosphor Bronze	
弹片	Reed	-	
焊针	Pin header	-	
塑件	Housing	PA66, UL94V-0	
电气性能	ELECTRICAL	UL	IEC
额定电压	Rated voltage	300V	320V
额定电流	Rated current	15A	10A
接触电阻	Contact resistance	20mΩ	
绝缘电阻	Insulation resistance	500MΩ/1000V	
耐电压	Withstanding voltage	AC2000V/1min	
使用线径	Wire range	28-12AWG 2.5mm ²	
机械性能	MECHANICAL		
温度范围	Temp. range	-40°C~+105°C	
瞬时温度	Max. soldering	+250°C, 5sec	
扭矩	Torque	0.4N.m 3.5Lb.in	
剥线长度	Strip length	7-8mm	

				GENERAL TOLERANCES		SCALE: 1:1	NAME	DATE	东莞市康导新能源科技有限公司 DONGGUANG KD NEW ENERGY TECHNOLOGY CO., LTD. 公司地址: www.dgconne.cn 公司电话: 0769-85337633 邮 箱: 2850175986@qq.com 公司传真: 0769-85392827		PART. NO: KD2EDGKB
				LINEAR 0.00±0.25 ANGLES X° REF±6°		APPROVED					DWG. NO: KDTB-0108
AO	新图面发行	2019.02.18	UNIT: MM	0.00±0.15 X° ±3°		DESIGNER			TITLE: 5.00/5.08mm pitch PLUGGABLE TERMINAL BLOCKS		REV: AO
REV.	REVISION RECORD	DATE	SIZE: A4	0.000±0.08 X° X'±2°		DRAWN	肖丽娟	2019.02.18			SHEET: 1/1