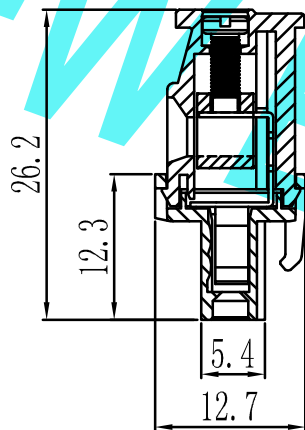
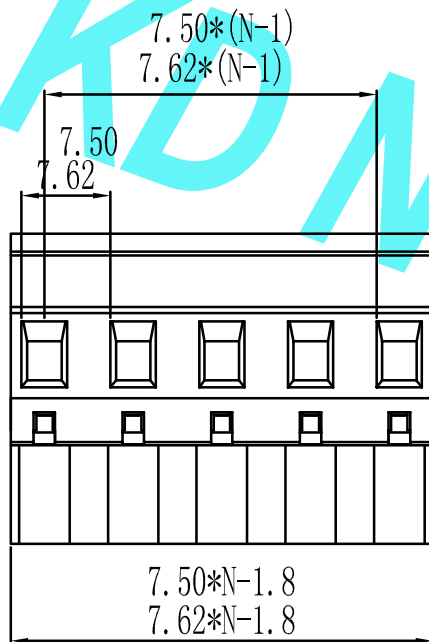


环保物料



N=Number of Contacts

| | | | |
|-------|-----------------------|--------------------------------|------|
| 产品型号 | MODEL | KD2EDGKB | |
| 材质&电镀 | MATERIAL&PLATING | M2.5, 钢, 镀锌 Steel, Zinc Plated | |
| 螺丝 | Screw | 磷青铜 Phosphor Bronze | |
| 弹片 | Reed | - | |
| 焊针 | Pin header | - | |
| 塑件 | Housing | PA66, UL94V-0 | |
| 电气性能 | ELECTRICAL | UL | IEC |
| 额定电压 | Rated voltage | 300V | 400V |
| 额定电流 | Rated current | 15A | 10A |
| 接触电阻 | Contact resistance | 20mΩ | |
| 绝缘电阻 | Insulation resistance | 500MΩ/1000V | |
| 耐电压 | Withstanding voltage | AC2500V/1min | |
| 使用线径 | Wire range | 28-12AWG 2.5mm ² | |
| 机械性能 | MECHANICAL | | |
| 温度范围 | Temp. range | -40℃~+105℃ | |
| 瞬时温度 | Max. soldering | +250℃, 5sec | |
| 扭矩 | Torque | 0.4N.m 3.5Lb. in | |
| 剥线长度 | Strip length | 7-8mm | |

| | | | | | | | | | | | |
|------|-----------------|------------|----------|--------------------|----------|--------|----------|------|---|--------------------|------------|
| | | | | GENERAL TOLERANCES | | SCALE: | NAME | DATE | 东莞市康导新能源科技有限公司 DONGGUAN KD NEW ENERGY TECHNOLOGY CO., LTD. 公司地址: www.dgconne.cn 公司电话: 0769-85337633 邮 箱: 2850175986@qq.com 公司传真: 0769-85392827 | PART. NO: KD2EDGKB | |
| | | | | LINEAR | ANGLES | 1:1 | APPROVED | | | DWG. NO: KDTB-0143 | |
| A0 | 新图面发行 | 2019.02.18 | UNIT: MM | 0.00±0.15 | X° ±3° | | DESIGNER | | TITLE: 7.50/7.62mm pitch PLUGGABLE TERMINAL BLOCKS | | REV: A0 |
| REV. | REVISION RECORD | DATE | SIZE: A4 | 0.000±0.08 | X° X'±2° | | DRAWN | 肖丽娟 | 2019.02.18 | | SHEET: 1/1 |