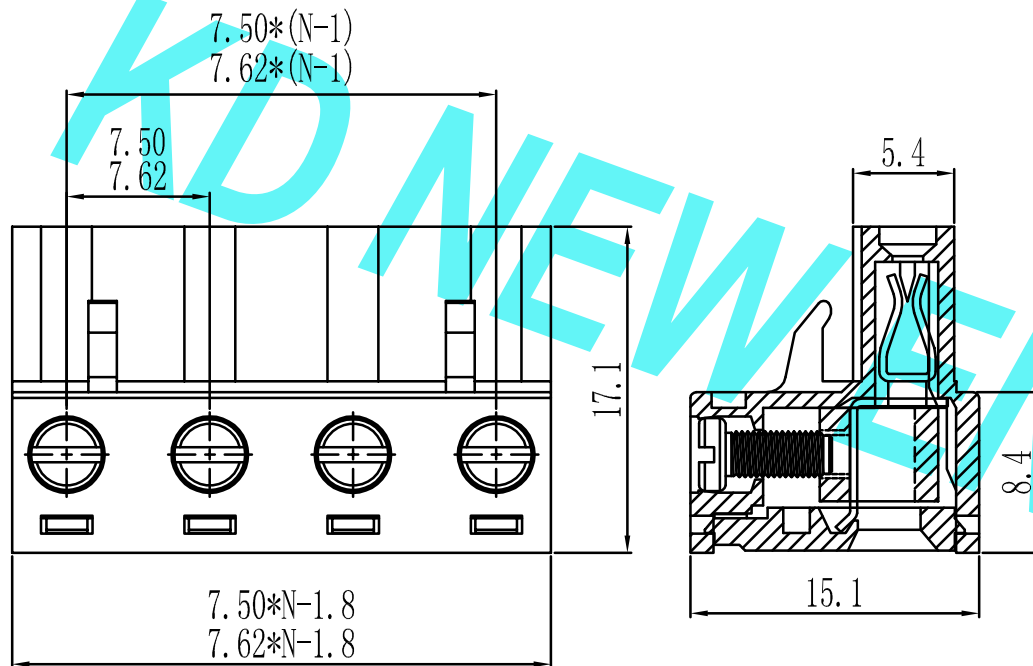


环保物料



N=Number of Contacts

产品型号	MODEL	KD2EDG-X	
材质&电镀	MATERIAL&PLATING		
螺丝	Screw	M2.5, 钢, 镀锌 Steel, Zinc Plated	
弹片	Reed	磷青铜 Phosphor Bronze	
焊针	Pin header	-	
塑件	Housing	PA66, UL94V-0	
电气性能	ELECTRICAL	UL	IEC
额定电压	Rated voltage	300V	400V
额定电流	Rated current	15A	20A
接触电阻	Contact resistance	20mΩ	
绝缘电阻	Insulation resistance	500MΩ/1000V	
耐电压	Withstanding voltage	AC2500V/1min	
使用线径	Wire range	28-12AWG 2.5mm ²	
机械性能	MECHANICAL		
温度范围	Temp. range	-40°C ~ +105°C	
瞬时温度	Max. soldering	+250°C, 5sec	
扭矩	Torque	0.5N.m 4.4Lb.in	
剥线长度	Strip length	7-8mm	

				GENERAL TOLERANCES		SCALE:	NAME	DATE	东莞市康号新能源科技有限公司 DONGGUANG KD NEW ENERGY TECHNOLOGY CO., LTD. 公司网址: www.dgconne.cn 公司电话: 0769-85337633 邮 箱: 2850175986@qq.com 公司传真: 0769-85392827	PART. NO:	KD2EDG-X	
				LINEAR	ANGLES	1:1	APPROVED			DWG. NO:	KDTB-0136	
AO	新图面发行	2019.02.18	UNIT: MM	0.00±0.15	X° ±3°	DESIGNER			TITLE:	7.50/7.62mm pitch PLUGGABLE TERMINAL BLOCKS		
REV.	REVISION RECORD	DATE	SIZE: A4	0.000±0.08	X° X'±2°	DRAWN	肖丽娟	2019.02.18	REV:	AO	SHEET:	1/1