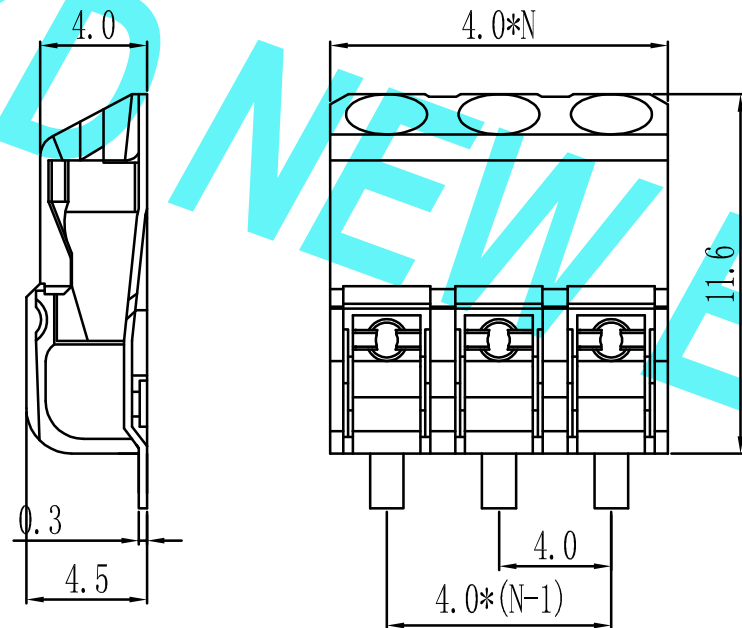


环保物料



N=Number of Contacts

产品型号	MODEL	KD151
材质&电镀	MATERIAL&PLATING	
螺丝	Screw	-
弹片	Reed	-
焊针	Pin header	磷青铜, 镀锡 Phosphor Bronze, Tin plated
塑件	Housing	高温尼龙 PA4T, UL94V-0
电气性能	ELECTRICAL	IEC
额定电压	Rated voltage	320V
额定电流	Rated current	9A
接触电阻	Contact resistance	20mΩ
绝缘电阻	Insulation resistance	500MΩ/1000V
耐电压	Withstanding voltage	AC1500V/1min
使用线径	Wire range	24-18AWG 0.75mm <sup>2</sup>
机械性能	MECHANICAL	
温度范围	Temp. range	-40℃~+105℃
瞬时温度	Max. soldering	+250℃, 5sec
扭矩	Torque	-
剥线长度	Strip length	7mm

				GENERAL TOLERANCES		SCALE:	NAME	DATE	 <b>东莞市康导新能源科技有限公司</b> DONGGUANG KD NEW ENERGY TECHNOLOGY CO., LTD.		PART. NO:		KD151		
				LINEAR 0.00±0.25 0.00±0.15 0.000±0.08		ANGLES X° REF±6° X° ±3° X° X'±2°		1:1	APPROVED			DWG. NO:		KDTB-0178	
A0	新图面发行		2019.02.23	UNIT: MM		DESIGNER			TITLE:			REV: A0		SHEET: 1/1	
REV.	REVISION RECORD		DATE	SIZE: A4		DRAWN	肖丽娟	2019.02.23	4.00mm pitch SCREWLESS TERMINAL BLOCKS						