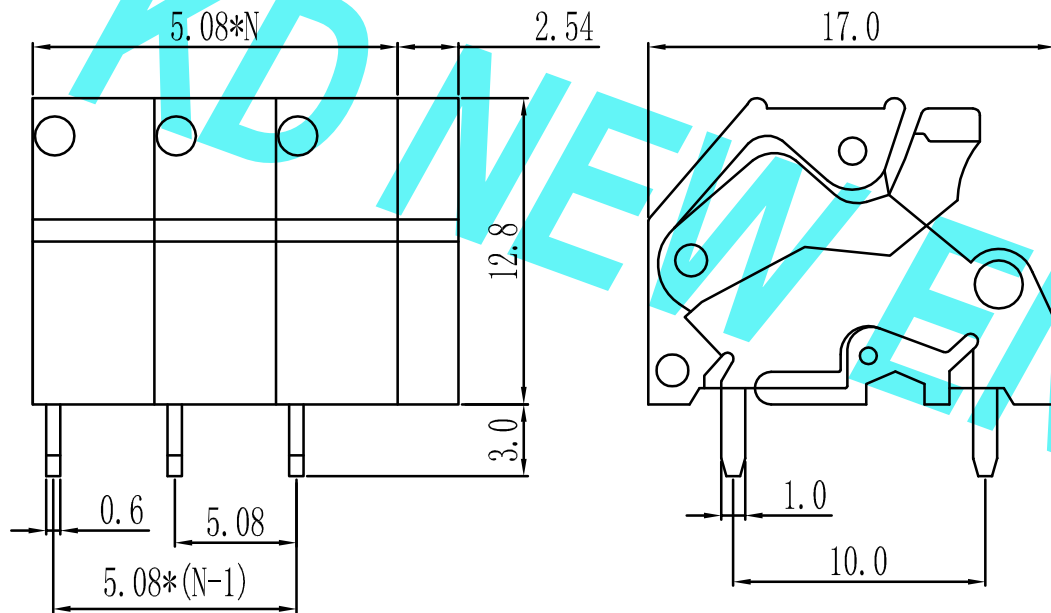


环保物料



N=Number of Contacts

| | | | |
|-------|-----------------------|-----------------------------|------|
| 产品型号 | MODEL | KD236 | |
| 材质&电镀 | MATERIAL&PLATING | - | |
| 螺丝 | Screw | - | |
| 弹片 | Reed | 不锈钢 Stainless steel | |
| 焊针 | Pin header | 黄铜, 镀锡 Brass, Tin plated | |
| 塑件 | Housing | PA66, UL94V-0 | |
| 电气性能 | ELECTRICAL | UL | IEC |
| 额定电压 | Rated voltage | 300V | 320V |
| 额定电流 | Rated current | 10A | 10A |
| 接触电阻 | Contact resistance | 20mΩ | |
| 绝缘电阻 | Insulation resistance | 500MΩ/1000V | |
| 耐电压 | Withstanding voltage | AC2000V/1min | |
| 使用线径 | Wire range | 24-16AWG 1.5mm ² | |
| 机械性能 | MECHANICAL | | |
| 温度范围 | Temp. range | -40°C~+105°C | |
| 瞬时温度 | Max. soldering | +250°C, 5sec | |
| 扭矩 | Torque | - | |
| 剥线长度 | Strip length | 11mm | |

| | | | | | | | | | | | | |
|------|-----------------|------------|----------|--------------------|----------|---------------|------|------------|---|-----------------------|---------|------------|
| | | | | GENERAL TOLERANCES | | SCALE: 1:1 | NAME | DATE | 东莞市康导新能源科技有限公司 DONGGUAN KD NEW ENERGY TECHNOLOGY CO., LTD. 公司网址: www.dgconne.cn 公司电话: 0769-85337633 邮 箱: 2850175986@qq.com 公司传真: 0769-85392827 | PART. NO: KD236 | | |
| | | | | LINEAR | ANGLES | APPROVED | | | | DWG. NO: KDTB-0168 | | |
| A0 | 新图面发行 | 2019.02.23 | UNIT: MM | 0.00±0.15 | X° ±3° | DESIGNER | | | TITLE: 5.08mm pitch SCREWLESS TERMINAL BLOCKS | | REV: A0 | SHEET: 1/1 |
| REV. | REVISION RECORD | DATE | SIZE: A4 | 0.000±0.08 | X° X'±2° | DRAWN | 肖丽娟 | 2019.02.23 | | | | |