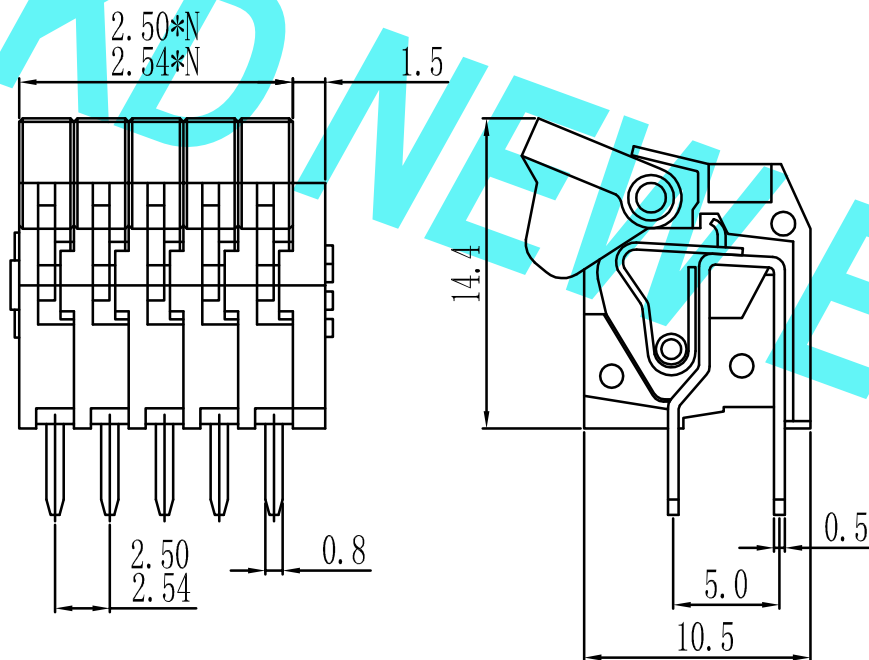


环保物料



N=Number of Contacts

产品型号	MODEL	KD187B	
材质&电镀	MATERIAL&PLATING		
螺丝	Screw	-	
弹片	Reed	不锈钢 Stainless steel	
焊针	Pin header	黄铜, 镀锡 Brass, Tin plated	
塑件	Housing	PA66, UL94V-0	
电气性能	ELECTRICAL	UL	IEC
额定电压	Rated voltage	150V	130V
额定电流	Rated current	4A	6A
接触电阻	Contact resistance	20mΩ	
绝缘电阻	Insulation resistance	500MΩ/1000V	
耐电压	Withstanding voltage	AC1250V/1min	
使用线径	Wire range	28-20AWG 0.5mm ²	
机械性能	MECHANICAL		
温度范围	Temp. range	-40℃~+105℃	
瞬时温度	Max. soldering	+250℃, 5sec	
扭矩	Torque	-	
剥线长度	Strip length	5-6mm	

				GENERAL TOLERANCES		SCALE:	NAME	DATE	东莞市康导新能源科技有限公司 DONGGUANG KD NEW ENERGY TECHNOLOGY CO., LTD. 公司网址: www.dgconne.cn 公司电话: 0769-85337633 邮 箱: 2850175986@qq.com 公司传真: 0769-85392827	PART. NO:		KD187B			
				LINEAR	ANGLES	1:1	APPROVED				DWG. NO:		KDTB-0167		
A0	新图面发行	2019.02.23	UNIT: MM	0.00±0.15	X° ±3°		DESIGNER			TITLE:		2.50/2.54mm pitch SCREWLESS TERMINAL BLOCKS			
REV.	REVISION RECORD	DATE	SIZE: A4	0.000±0.08	X° X'±2°		DRAWN	肖丽娟	2019.02.23			REV:	A0	SHEET:	1/1