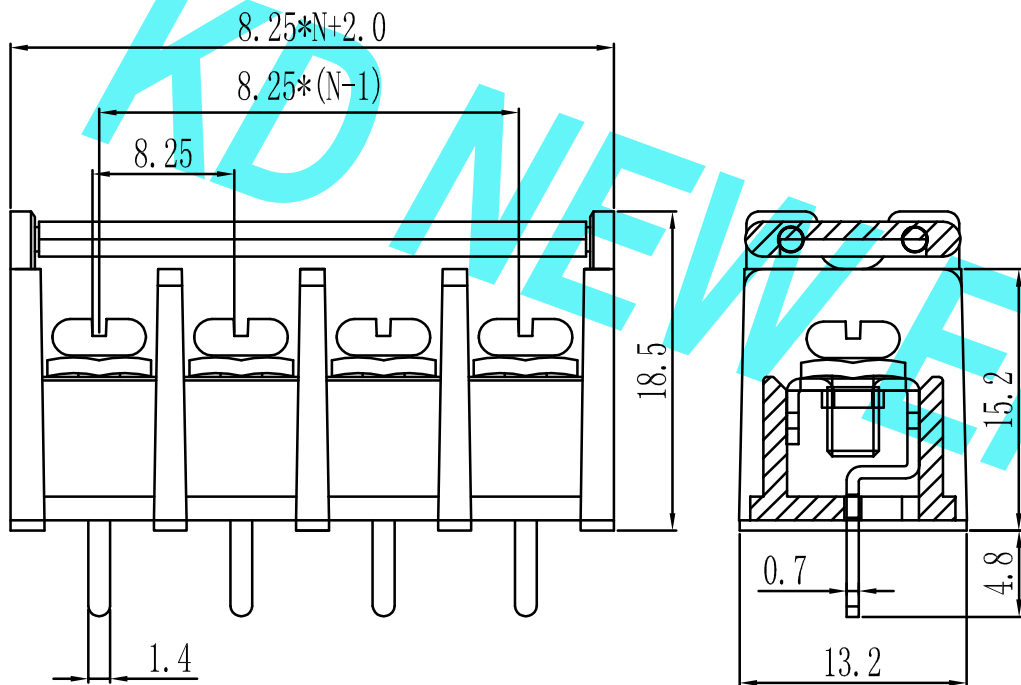


环保物料

产品型号	MODEL	KD-30CM
材质&电镀	MATERIAL&PLATING	
螺丝	Screw	M3.0, 钢, 镀镍 Steel, Nickel Plated
端子	Terminal	黄铜, 0.7t 镀锡 Brass, Tin Plated
塑件	Housing	PA66, UL94V-0
电气性能	ELECTRICAL	
额定电压	Rated voltage	300V
额定电流	Rated current	20A
绝缘电阻	Insulation resistance	500MΩ/DC500V
耐电压	Withstanding voltage	AC2000V/1min
使用线径	Wire range	22-14AWG 2.5mm ²
机械性能	MECHANICAL	
温度范围	Temp. range	-40℃~+105℃
扭矩	Torque	0.5N.m 4.4Lb.in



N=Number of Contacts

		GENERAL TOLERANCES		SCALE:	NAME	DATE	东莞市康导新能源科技有限公司 DONGGUANG ED NEW ENERGY TECHNOLOGY CO., LTD. 公司网址: www.dgconne.cn 公司电话: 0769-85337633 邮 箱: 2850175986@qq.com 公司传真: 0769-85392827		PART. NO: KD-30CM	
				1:1					DWG. NO: KDTB-0205	
		LINEAR: 0.0±0.25 ANGLES: X° REF±6°		APPROVED			TITLE:		REV: AO SHEET: 1/1	
AO		新图面发行		DESIGNER			8.25mm pitch AMERICAN/JAPANESE TERMINAL BLOCKS			
REV.		REVISION RECORD		DRAWN	肖丽娟	2019.02.25				
		UNIT: MM	0.00±0.15	X° ±3°						
		DATE	2019.02.25	X° X'±2°						
		SIZE: A4	0.000±0.08							