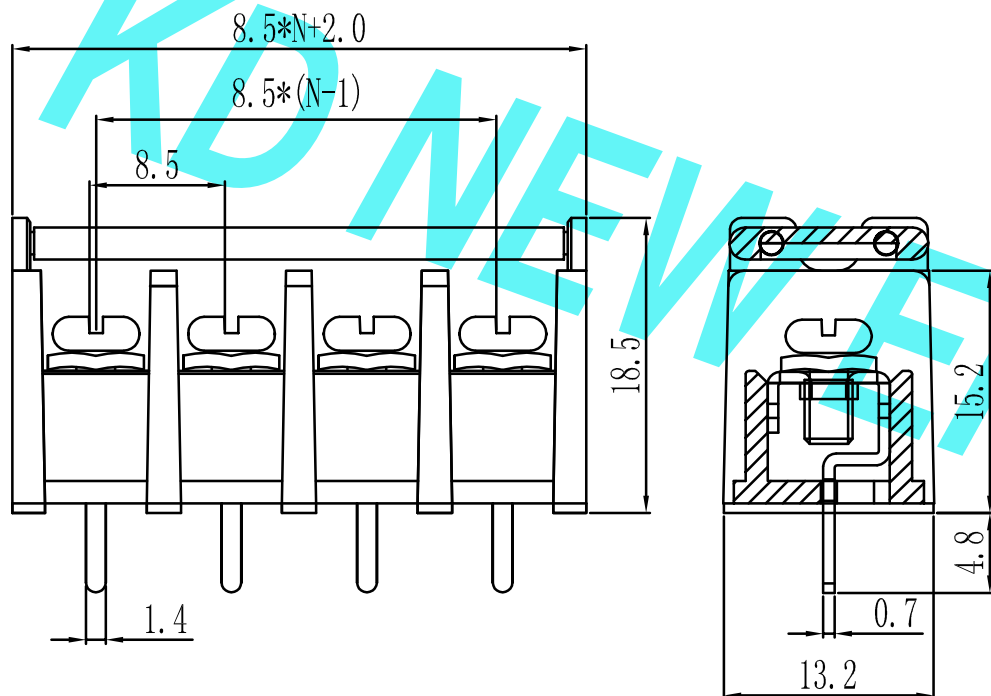


环保物料

产品型号	MODEL	KD-35CM
材质&电镀	MATERIAL&PLATING	
螺丝	Screw	M3.0, 钢, 镀镍 Steel, Nickel Plated
端子	Terminal	黄铜, 0.7t 镀锡 Brass, Tin Plated
塑件	Housing	PA66, UL94V-0
电气性能	ELECTRICAL	
额定电压	Rated voltage	300V
额定电流	Rated current	20A
绝缘电阻	Insulation resistance	500M $\Omega$ /DC500V
耐电压	Withstanding voltage	AC2000V/1min
使用线径	Wire range	22-14AWG 2.5mm <sup>2</sup>
机械性能	MECHANICAL	
温度范围	Temp. range	-40 $^{\circ}$ C~+105 $^{\circ}$ C
扭矩	Torque	0.5N.m 4.4Lb.in



N=Number of Contacts

				GENERAL TOLERANCES		SCALE:	NAME	DATE	 <b>东莞市康导新能源科技有限公司</b> DONGGUAN KD NEW ENERGY TECHNOLOGY CO., LTD. 公司网址: www.dgconne.cn 公司电话: 0769-85337633 邮 箱: 2850175986@qq.com 公司传真: 0769-85392827	PART. NO:	KD-35CM	
				LINER	ANGLES	1:1	APPROVED			DWG. NO:	KDTB-0213	
A0	新图面发行	2019.02.25	UNIT: MM	0.00 $\pm$ 0.15	X $^{\circ}$ REF $\pm$ 6 $^{\circ}$		DESIGNER		TITLE:	8.50mm pitch AMERICAN/JAPANESE TERMINAL BLOCKS		
REV.	REVISION RECORD	DATE	SIZE: A4	0.000 $\pm$ 0.08	X $^{\circ}$ X' $\pm$ 2 $^{\circ}$		DRAWN	肖丽娟	2019.02.25	REV:	A0	SHEET: 1/1