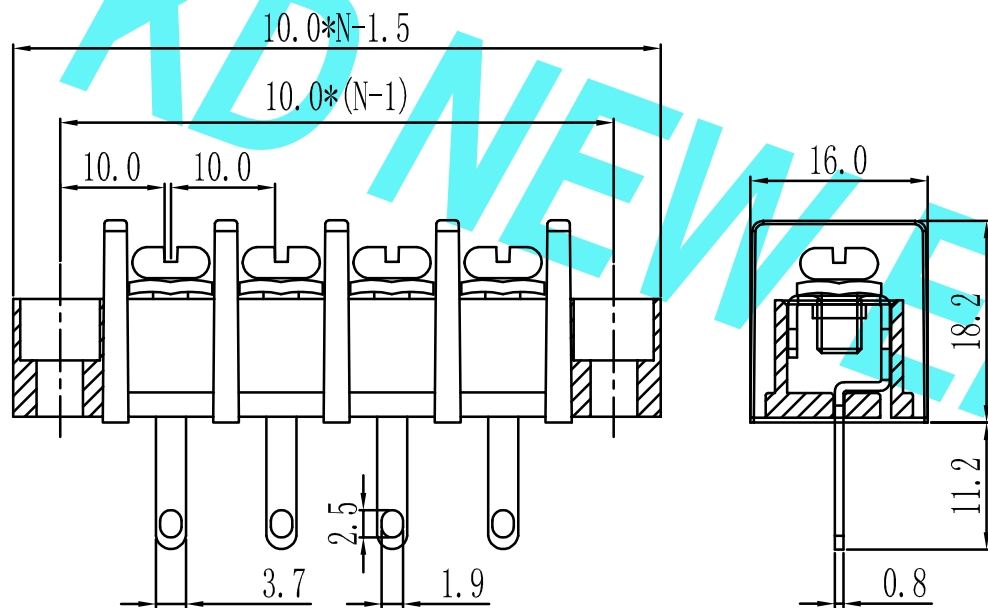


环保物料

产品型号	MODEL	KD-55H
材质&电镀	MATERIAL&PLATING	
螺丝	Screw	M4.0, 钢, 镀镍 Steel, Nickel Plated
端子	Terminal	黄铜, 0.8t 镀锡 Brass, Tin Plated
塑件	Housing	PA66, UL94V-0
电气性能	ELECTRICAL	
额定电压	Rated voltage	300V
额定电流	Rated current	25A
绝缘电阻	Insulation resistance	500MΩ/DC500V
耐电压	Withstanding voltage	AC2000V/1min
使用线径	Wire range	22-12AWG 4.0mm ²
机械性能	MECHANICAL	
温度范围	Temp. range	-40℃~+105℃
扭矩	Torque	1.2N.m 10.53Lb.in



N=Number of Contacts

				GENERAL TOLERANCES		SCALE:	NAME	DATE	东莞市康导新能源科技有限公司 DONGGUAN KD NEW ENERGY TECHNOLOGY CO., LTD. 公司网址: www.dgconne.cn 公司电话: 0769-85337633 邮 箱: 2850175986@qq.com 公司传真: 0769-85392827	PART. NO:		KD-55H		
				LINEAR 0.0 ± 0.25		ANGLES $X^\circ \text{ REF} \pm 6^\circ$		APPROVED				DWG. NO:		KDTB-0226
A0	新图面发行		2019.02.25	UNIT: MM	0.00 ± 0.15	$X^\circ \pm 3^\circ$		DESIGNER			TITLE:			
REV.	REVISION RECORD		DATE	SIZE: A4	0.000 ± 0.08	$X^\circ X' \pm 2^\circ$		DRAWN	肖丽娟	2019.02.25	10.00mm pitch AMERICAN/JAPANESE TERMINAL BLOCKS			
										REV:		A0	SHEET: 1/1	