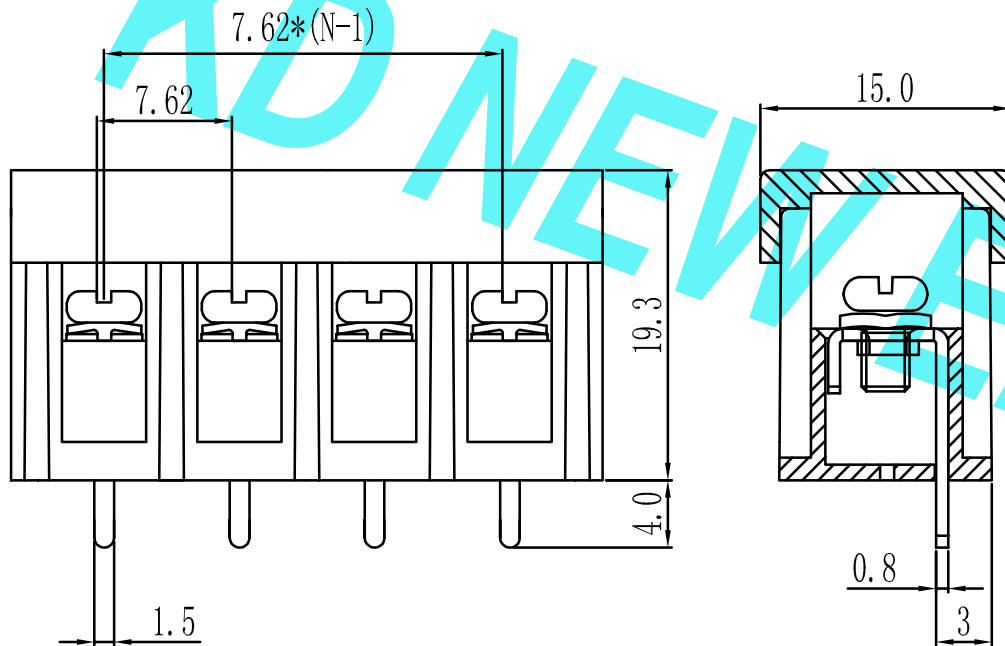


环保物料

产品型号	MODEL	KD25CC/KD30CC/KD35CC
材质&电镀	MATERIAL&PLATING	
螺丝	Screw	M3.0, 钢, 镀镍 Steel, Nickel Plated
端子	Terminal	黄铜, 0.8t 镀锡 Brass, Tin Plated
塑件	Housing	PA66, UL94V-0
电气性能	ELECTRICAL	
额定电压	Rated voltage	300V
额定电流	Rated current	20A
绝缘电阻	Insulation resistance	500MΩ/DC500V
耐电压	Withstanding voltage	AC2000V/1min
使用线径	Wire range	22-14AWG 2.5mm ²
机械性能	MECHANICAL	
温度范围	Temp. range	-40℃~+105℃
扭矩	Torque	0.5N.m 4.4Lb.in



N=Number of Contacts

		GENERAL TOLERANCES		SCALE:	NAME	DATE	东莞市康导新能源科技有限公司 DONGGUAN ED NEW ENERGY TECHNOLOGY CO., LTD. 公司网址: www.dgconne.cn 公司电话: 0769-85337633 邮 箱: 2850175986@qq.com 公司传真: 0769-85392827		PART. NO:	
				1:1					KD25CC/KD30CC/KD35CC	
		LINEAR ANGLES 0.0±0.25 X° REF±6°		APPROVED					DWG. NO:	
A0		新图面发行		DESIGNER			TITLE:		KDTB-0241	
REV.		REVISION RECORD		DRAWN	肖丽娟	2019.02.25	7.62/8.25/8.50mm pitch AMERICAN/JAPANESE TERMINAL BLOCKS		REV:	A0
		DATE		SIZE:					SHEET:	1/1
		UNIT: MM								
		DATE								
		DATE								